



# MARITIME LIGHTNING PROTECTION

## LIGHTNING PROTECTION EQUIPMENT CATALOG

Equipment Engineered for Today's Structures  
Commercial - Industrial - Residential



**Toll Free:** 1.855.368.1710  
**Local:** 902.368.1710  
**Fax:** 902.368.3391

Email: [info@maritimelightningprotection.com](mailto:info@maritimelightningprotection.com)  
[www.maritimelightningprotection.com](http://www.maritimelightningprotection.com)

570 Pownal Rd., Rte. 26  
Pownal, PE C1B 3S6  
Canada

**Bases**

Horizontal ..... 13, 14, 17, 18, 19  
 Chimney..... 16, 17  
 Concealed Assembly..... 22  
 Horizontal With Adjustable Adaptor..... 14, 15  
 Offset ..... 16  
 Railing Bracket..... 20  
 Saddle Type..... 22  
 Semi-Concealed..... 22  
 Standing Seam..... 18  
 Universal..... 13  
 Vertical..... 13, 15, 16, 17, 18

**Conductor Cable and Strap**

Aluminum Cable..... 2  
 Aluminum Bonding Cable ..... 3  
 Aluminum Strap ..... 2  
 Copper Cable..... 2  
 Copper Bonding Cable..... 3  
 Copper Strap ..... 2

**Connectors**

Band Style Bonding Strap ..... 40, 41  
 Bonding ..... 38  
 Bonding, Bimetal ..... 40  
 Bonding Plates..... 37, 38, 39  
 Bus Terminals ..... 35, 36  
 Cross Run ..... 33  
 Flat Steel ..... 37  
 Parallel, Bimetal ..... 32  
 Parallel, Bolt Type ..... 26, 32  
 Parallel, Crimp ..... 28  
 Straight, Bimetal ..... 29, 33  
 Straight, Bonding ..... 33  
 Straight, Crimp ..... 29  
 Straight, Machined ..... 29, 33  
 T Splicer, Crimp..... 30  
 T Splicer, Crimp Bimetal..... 30, 31  
 T Splicer, Bolt Type ..... 33, 34, 35, 36  
 T Splicer, Bimetal..... 30, 31, 33  
 Track Connector..... 33

**Fasteners and Related**

Adhesive Style ..... 43, 44  
 Anchors, All Styles..... 49  
 Bolts..... 47  
 Fastener Assemblies With Anchors ..... 47, 48  
 Hammer Drive Anchors ..... 49  
 Loop Style..... 42  
 Nails..... 46  
 Standing Seam..... 42  
 Railing Style..... 45  
 Screws ..... 46  
 Slate Roof..... 45  
 Washers, All Types ..... 45, 46

**Grounding Equipment**

Bonding Wedges ..... 57  
 Compression Couplers..... 51  
 Cross Run Clamps..... 51  
 Ground Plates ..... 52, 53  
 Ground Receptacles ..... 55  
 Ground Rods ..... 50  
 Ground Rod Clamps..... 50, 53  
 Guard Pipe and Fasteners..... 56  
 Test Wells ..... 58  
 U Bolt Clamps..... 51  
 Water Pipe Clamps ..... 53, 54, 55

**Strike Termination Devices and Related**

Adaptors, Adjustable..... 12, 13  
 Adaptors, Fixed ..... 11, 12  
 Couplers, Female Top & Bottom ..... 11  
 Decorative ..... 6  
 Point Tip Protector ..... 9  
 Safety Spring ..... 5  
 Solid Copper ..... 4  
 Solid Aluminum ..... 5  
 Tripods..... 8  
 Tube Point Bushing, Coupler ..... 9

**Thru-Roof and Thru-Wall Assemblies and Components**

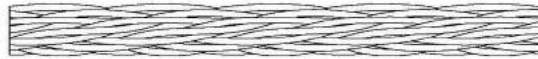
Bimetal Thru Roof ..... 24  
 Bimetal Thru Wall..... 27  
 Right Angle Thru Roof ..... 26, 28  
 Stainless Steel Threaded Rod ..... 26  
 Thru Roof..... 24, 25, 26, 27  
 Thru Roof Connector and Cap..... 26  
 Thru Wall Connector ..... 27



Smooth (UL)



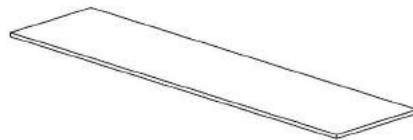
Concentric Strand (UL)



Rope Lay (UL)

Above drawings are typical for cables below.

MLP #	Class	Type Weave	Number Strands	Wire Gauge	Circular Mils	Wt. per 1,000'	Approx. Size	Cable Size	Std. Spool Size	Tinned
<b>Copper Cable</b>										
28S	1	Smooth	28	17	57,400	190	7/16"	No. 3	500'	No
32S	1	Smooth	32	17	64,800	215	15/32"	No. 2	250' & 500'	No
32L	1	Smooth	32	17	64,800	215	15/32"	No. 2	250' & 500'	Yes
40	2	Rope Lay	28	14	121,968	375	1/2"	1/0	250' & 500'	No
40L	2	Rope Lay	28	14	121,968	375	1/2"	1/0	250' & 500'	Yes
21	2	Rope Lay	30	14	130,680	416	1/2"	2/0	250'	No
G3	2	Rope Lay	28	12	209,503	662	5/8"	4/0	250'	No
<b>Aluminum Cable</b>										
A28	1	Smooth	28	14	118,300	130	5/8"	1/0	250' & 500'	No
A30	2	Conc. Strand	37	12-1/2	211,468	200	9/16"	4/0	250' & 500'	No
<b>Copper Secondary Bonding</b>										
22		Smooth	14	17	28,500	90	1/4"	No. 6	250' & 500'	No
<b>Aluminum Secondary Bonding</b>										
A22		Smooth	10	14	43,000	39	5/16"	No. 4	500'	No

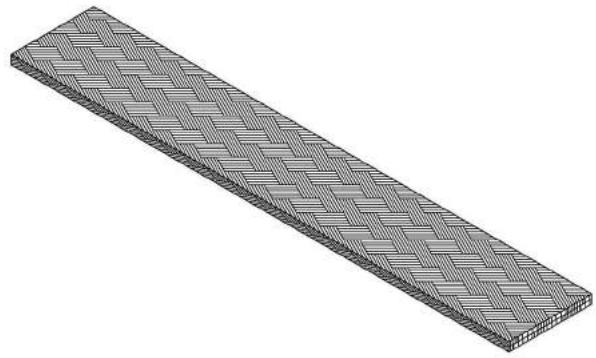


MLP #	Class	Type	Width	Thickness	Wt. Per 1,000'	Std. Coil Size	Tinned
<b>Copper Bonding Strap</b>							
49	1	Strap	1"	0.051	193	25' & 50'	No
49X	1	Strap	1"	0.051	193	25' & 50'	Yes
49Y	1	Strap	1-3/4"	0.064	440	25' & 50'	Yes
<b>Aluminum Secondary Bonding Strap</b>							
A48	1	Strap	5/8"	0.064	48	25' & 50'	No
A49	1	Strap	1"	0.064	73	25' & 50'	Yes
<b>Copper Secondary Bonding Strap</b>							
48A	1	Strap	5/8"	0.051	128	25' & 50'	No
48B	1	Strap	5/8"	0.051	128	25' & 50'	Yes

**45**

**Flexible Copper Bonding Cable**

480 strands of 30 gauge copper, 3/4" wide x 1/8" thick, 48,000 circular mils. Wt. is 160 lbs. per 1,000 ft. Standard spool size is 250'.



**A45**

**Flexible Aluminum Bonding Cable**

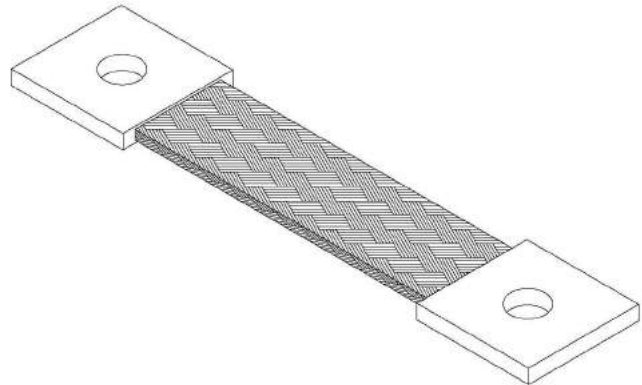
Aluminum. Description same as above. Wt. is 50 lbs. per. 1,000 ft.



**184**

**Flexible Bonding Connector**

480 strands of 30 gauge copper, 3/4" wide x 1/8" thick, 48,000 circular mils. Connector size is 3/4" wide x 11" overall or 10" from center hole to center hole. Bolt hole is 3/8" diameter. Other lengths available upon request. Wt. .16 lbs. each.



**A184**

**Flexible Bonding Connector**

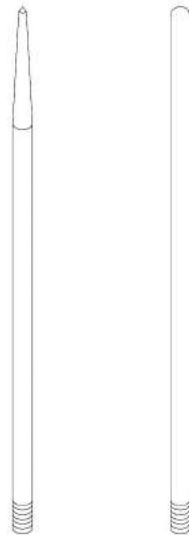
Aluminum. Description same as above. Wt. .06 lbs. each.



**Class I Solid Copper  
3/8" Diameter Air Terminals**

Length	Sharp Tip - Part #	Blunt Tip - Part #	Weight Lbs.
12"	330	330 BT	.52
18"	330A	330A BT	.60
24"	330B	330B BT	.80
36"	330C	330C BT	1.26
48"	330D	330D BT	1.68
60"	330E	330E BT	2.10
72"	330F	330F BT	2.52

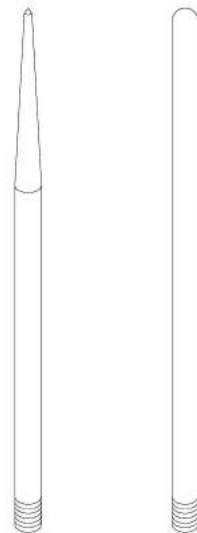
\*  
\* 



**Class II Solid Copper  
1/2" Diameter Air Terminals**

Length	Sharp Tip - Part #	Blunt Tip - Part #	Weight Lbs.
12"	331	331 BT	.62
18"	331A	331A BT	1.00
24"	331B	331B BT	1.38
36"	331C	331C BT	2.14
48"	331D	331D BT	2.88
60"	331E	331E BT	3.66
72"	331F	331F BT	4.44

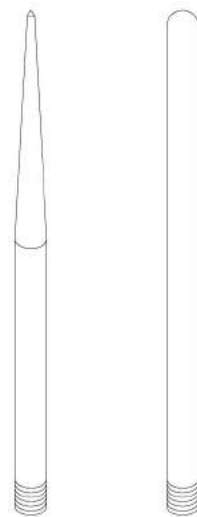
\*  
\* 



**Class II Solid Copper  
5/8" Diameter Air Terminals**

Length	Sharp Tip - Part #	Blunt Tip - Part #	Weight Lbs.
12"	332	332 BT	.90
18"	332A	332A BT	1.46
24"	332B	332B BT	2.08
36"	332C	332C BT	3.24
48"	332D	332D BT	4.44
60"	332E	332E BT	5.40
72"	332F	332F BT	6.48

\*  
\* 



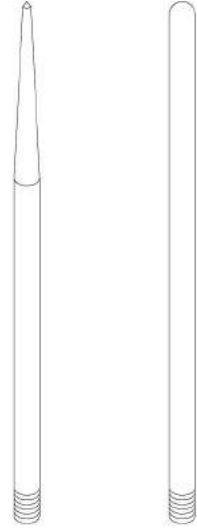
Note: Other lengths available upon request.

\* May require additional lead time.

**Class I Solid Aluminum  
1/2" Diameter Air Terminals**

Length	Sharp Tip - Part #	Blunt Tip - Part #	Weight Lbs.
12"	A331	A331-BT	.20
18"	A331A	A331A-BT	.30
24"	A331B	A331B-BT	.42
36"	A331C	A331C-BT	.66
48"	A331D	A331D-BT	.88
60"	A331E	A331E-BT	1.08
72"	A331F	A331F-BT	1.36

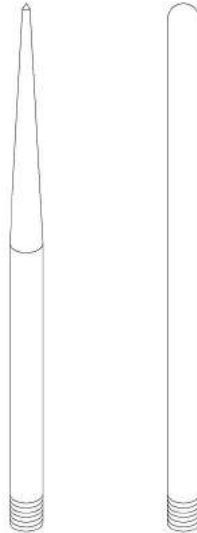
\* 



**Class II Solid Aluminum  
5/8" Diameter Air Terminals**

Length	Sharp Tip - Part #	Blunt Tip - Part #	Weight Lbs.
12"	A332	A332-BT	.28
18"	A332A	A332A-BT	.46
24"	A332B	A332B-BT	.60
36"	A332C	A332C-BT	.93
48"	A332D	A332D-BT	1.34
60"	A332E	A332E-BT	1.56
72"	A332F	A332F-BT	1.87

\* 



Note: Other lengths available upon request.

\* May require additional lead time.

**M312 BT**

**Spring Point Air Terminal**

Assembly consists of 1/2" x 12" length solid copper blunt tip air terminal mounted on a 6" stainless steel spring assembly. Total overall length is 18". Please specify bottom thread configuration when ordering. Longer length air terminals available upon request.

Wt. 1.28 lbs. each.

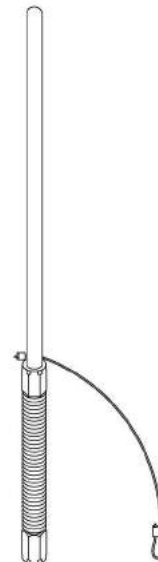
**MA312 BT**

**Spring Point Air Terminal**

Aluminum. Description same as above.

Wt. .60 lbs. each.





**240W**

**Decorative Strike Termination Device**

Cast solid bronze decorative terminal. Part is nickel plated and has 3/8" female threads.

Wt. .54 lbs. each.

**A240W**

**Decorative Strike Termination Device**

Cast aluminum with 1/2" females threads.

Wt. .16 lbs. each.

**240Z**

**Decorative Strike Termination Device**

Cast solid bronze decorative terminal. Part is nickel plated and has 1/2" female threads.

Wt. .54 lbs. each.

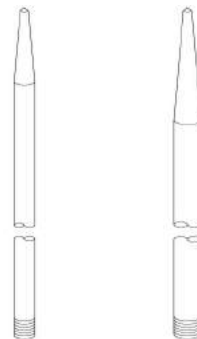


**Tin Coated Solid Copper Strike Termination Device**

Dimensions	Part #	Weight Lbs.
3/8" x 36"	90	1.24
3/8" x 48"	90B	1.68
3/8" x 60"	91	2.10
1/2" x 36"	G90X	2.14
1/2" x 60"	G91X	3.68



Note: Other lengths available upon request



**256**

**Tin Coated Copper Flue Tile Support**

For use with 3/8" rod and standard or round tile up to 7/8" thick.

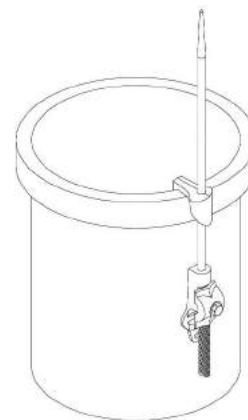
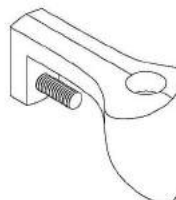
Wt. .18 lbs. each.

**256X**

**Large Tin Coated Copper Flue Tile Clamp**

For use with 3/8" rod and tile up to 1 - 3/8" thick.

Wt. .22 lbs. each.



**A256X**

**Large Aluminum Flue Tile Clamp**

For use with 1/2" rod.

Wt. .08 lbs. each.



## Tube Points

- Furnished in 5/8" OD and in copper and aluminum.
- Tube points are shipped plain as our standard product.
- Full nickel plating is available for up to 48" in length. Add "NP" to part number.
- Point bushings or couplers are ordered as separate components.

7

Length	Copper - Part #	Weight Lbs.	Aluminum - Part #	Weight Lbs.
12"	101	.22	A101	.10
14"	102	.28	A102	.12
16"	103	.30	A103	.14
18"	104	.34	A104	.14
24"	104A	.46	A104A	.20
30"	105	.58	A105	.26
36"	106	.68	A106	.30
48"	107	.92	A107	.42
54"	108	1.03	A108	.48
60"	109	1.14	A109	.50
72"	110	1.36	A109-72	.58
84"	111	1.58	A109-84	.66
96"	112	1.80	A109-96	.74

\*

\*

\*

\*



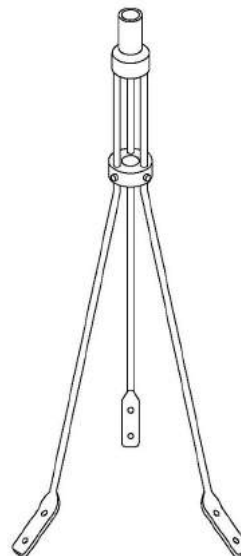
\* Air terminals noted with "\*" may require additional lead time.



**Three leg tripod braces** are furnished in copper and aluminum and used with our strike termination devices up to 5/8" diameter. Braces are made of 1/4" rod and are easily shaped for securing to roof. Tripods are also furnished with feet for securing with adhesive. For proper sizing see description below. Other lengths available upon request.

**Copper Tripod Supports**

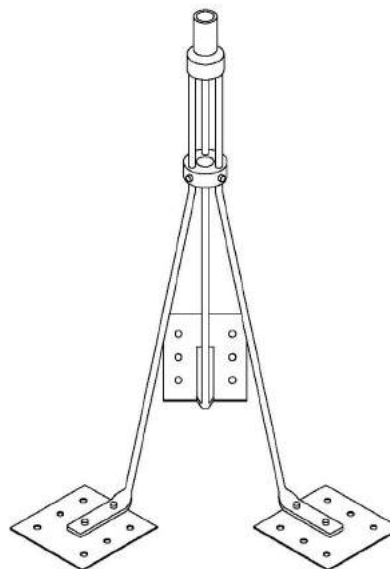
Part #	Description	Weight Lbs.
30A	14" length for 24" point	.88
30AF	Above description with feet	1.14
30	18" length for 30" point	1.15
30F	Above description with feet	1.39
30B	24" length for 36" point	1.45
30BF	Above description with feet	1.75
30C	36" length for 48" point	2.05
30CF	Above description with feet	2.47
30D	48" length for 60" point	2.64
30DF	Above description with feet	3.18



Above illustration depicts tripod without feet.

**Aluminum Tripod Supports**

Part #	Description	Weight Lbs.
A110X	14" length for 24" point	.34
A110XF	Above description with feet	.32
A110	18" length for 30" point	.46
A110F	Above description with feet	.53
A111	24" length for 36" point	.58
A111F	Above description with feet	.71
A112	36" length for 48" point	.80
A112F	Above description with feet	.70
A113	48" length for 60" point	.84
A113F	Above description with feet	.92

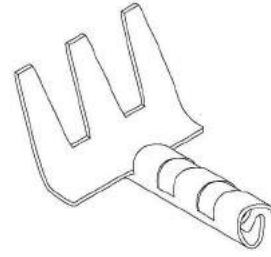


Above illustration depicts tripod with feet.

**35**

**Tube Point Coupler**

Pressed copper coupler is crimped into tube point prior to shipping.  
Wt. .12 lbs. each.



**A35**

**Tube Point Coupler**

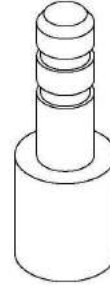
Aluminum. Description same as above.  
Wt. .04 lbs. each.



**M63**

**Tube Point Bushing**

Machined solid brass coupler with 5/8" female threads is crimped into tube point prior to shipping. Wt. .18 lbs. each.



**MA63**

**Tube Point Bushing**

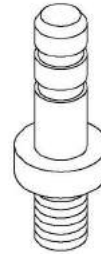
Aluminum. Description same as above.  
Wt. .06 lbs. each.



**M63 - 12MB**

**Tube Point Bushing**

Machined solid brass coupler with 1/2" male threads is crimped into tube point prior to shipping.  
Wt. .18 lbs. each.



**MA63 - 12MB**

**Tube Point Bushing**

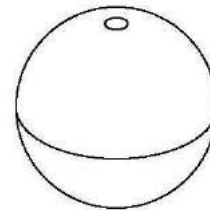
Aluminum 1/2" male. Description same as above.  
Wt. .06 lbs. each.



**170PP**

**Point Tip Protector**

1-1/8" diameter Neoprene ball to fit on sharp tip strike devices. Secure with silicone or construction adhesive to prevent removal of protector.  
Wt. .03 lbs. each.



**60 Bushing**

Machined brass bushing with 1/2" male and 3/8 female threads. Bushing installed in 1/2" female bases to allow use of 3/8" Strike Termination Devices.  
Wt. .02 lbs. each.



**Fixed Adaptor Series  
Male Top to Female Bottom Adaptors**

Part #	Description	Weight Lbs.
M63Y	Machined brass 3/8" female and 5/8" male top and 3/8" female bottom.	.12
M63Z	Machined brass 5/8" male top and 1/2" female bottom.	.12
MA63Z	Machined aluminum 5/8" male top and 1/2" female bottom.	.04



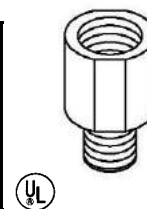
**Female Top to Female Bottom Adaptors**

Part #	Description	Weight Lbs.
M63E	Machined brass 3/8" female top and 1/2" female bottom.	.14
M63B	Machined brass 3/8" female top and 5/8" female bottom.	.16
M63C	Machined brass 1/2" female top and 5/8" female bottom.	.12
M63X	Machined brass 1/2" female top and 1/2" female bottom.	.12
MA63C	Machined aluminum 1/2" female top and 5/8" female bottom.	.04
MA63X	Machined aluminum 1/2" female top and 1/2" female bottom.	.08



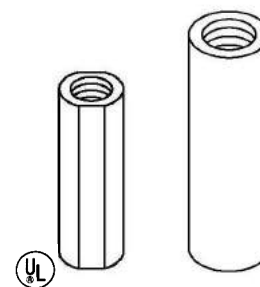
**Female Top to Male Bottom Adaptors**

Part #	Description	Weight Lbs.
M60UADP	Machined brass 5/8" female top and 1/2" male bottom.	.10
MA60UADP	Machined aluminum 5/8" female top and 1/2" male bottom.	.04



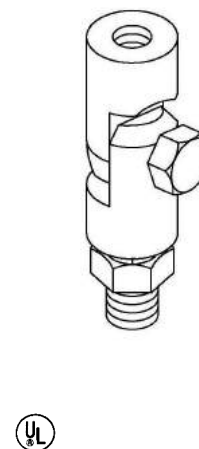
**Fixed Couplers  
Female Top – Female Bottom Couplers**

Part #	Description	Weight Lbs.
M334C	Machined brass coupler with 3/8" female threads on each end, 1-1/4" length.	.04
M335C	Machined brass coupler with 1/2" female threads on each end, 2" length.	.04
MA335C	Machined aluminum coupler with 1/2" female threads on each end, 2" length.	.06



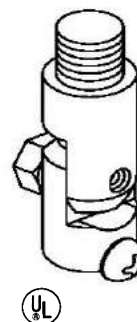
**Adjustable Adaptor Series  
Female Top-Male Bottom Adjustable Adaptors**

Part #	Description	Weight Lbs.
MADJ38FT38MB	Machined brass adjustable adaptor 3/8" female top and 3/8" male bottom	.36
MADJ38FT12MB	Machined brass adjustable adaptor 3/8" female top and 1/2" male bottom	.40
MADJ12FT38MB	Machined brass adjustable adaptor 1/2" female top and 3/8" male bottom	.36
MADJ12FT12MB	Machined brass adjustable adaptor 1/2" female top and 1/2" male bottom	.40
MAADJ12FT12MB	Machined aluminum adjustable adaptor 1/2" female top and 1/2" male bottom	.16
MADJ58FT12MB	Machined brass adjustable adaptor 5/8" female top and 1/2" male bottom	.38
MAADJ58FT12MB	Machined aluminum adjustable adaptor 5/8" female top and 1/2" male bottom	.16



**Adjustable Adaptor Series  
Male Top-Female Bottom Adjustable Adaptors**

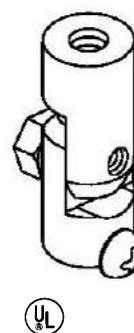
Part #	Description	Weight Lbs.
MADJ58MT12FB	Machined brass 5/8" male top and 1/2" female bottom.	.38
MAADJ58MT12FB	Machined aluminum 5/8" male top and 1/2" female bottom.	.16
MADJ58MT58FB	Machined brass 5/8" male top and 5/8" female bottom.	.42
MAADJ58MT58FB	Machined aluminum 5/8" male top and 5/8" female bottom.	.16



12

**Adjustable Adaptor Series  
Female Top-Female Bottom Adjustable Adaptors**

Part #	Description	Weight Lbs.
MADJ38FT12FB	Machined brass 3/8" female top and 1/2" female bottom.	.40
MADJ38FT58FB	Machined brass 3/8" female top and 5/8" female bottom.	.42
MADJ12FT12FB	Machined brass 1/2" female top and 1/2" female bottom.	.38
MAADJ12FT12FB	Machined aluminum 1/2" female top and 1/2" female bottom.	.16
MADJ12FT58FB	Machined brass 1/2" female top and 5/8" female bottom.	.36
MAADJ12FT58FB	Machined aluminum 1/2" female top and 5/8" female bottom.	.14
MADJ58FT12FB	Machined brass 5/8" female top and 1/2" female bottom.	.40
MAADJ58FT12FB	Machined aluminum 5/8" female top and 1/2" female bottom.	.16
MADJ58FT58FB	Machined brass 5/8" female top and 5/8" female bottom.	.42
MAADJ58FT58FB	Machined aluminum 5/8" female top and 5/8" female bottom.	.14



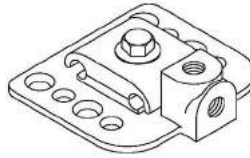
**60U**

**Universal Mounting Base**

Cast bronze base can be used in either a vertical or horizontal mounting. For use with 3/8" air terminals. Fasten to surface with adhesive or screws.

Wt. .80 lbs. each.

22	28S	32S	40	21	G3	A22	A28	A30
----	-----	-----	----	----	----	-----	-----	-----



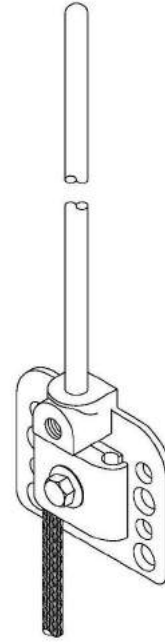
**60UB**

**Universal Mounting Base**

Cast bronze for use with 1/2" air terminals.

Wt. .80 lbs. each.

22	28S	32S	40	21	G3	A22	A28	A30
----	-----	-----	----	----	----	-----	-----	-----

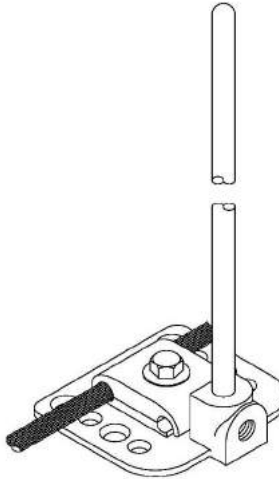


**A60UB**

**Universal Mounting Base**

Cast aluminum for use with 1/2" air terminals. Wt. .28 lbs. each.

22	28S	32S	40	21	G3	A22	A28	A30
----	-----	-----	----	----	----	-----	-----	-----

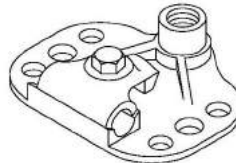


**60**

**Horizontal Mounting Base**

Cast bronze base with 3/8" female threads. Wt. .64 lbs. each.

22	28S	32S	40	21	G3	A22	A28	A30
----	-----	-----	----	----	----	-----	-----	-----



**60B**

**Horizontal Mounting Base**

Cast bronze base with 1/2" female threads. Wt. .64 lbs. each.

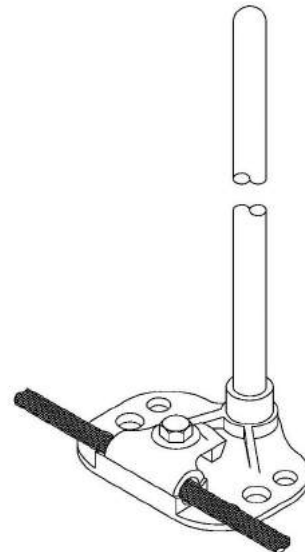
22	28S	32S	40	21	G3	A22	A28	A30
----	-----	-----	----	----	----	-----	-----	-----

**A60B**

**Horizontal Mounting Base**

Cast aluminum base with 1/2" female threads. Wt. .22 lbs. each.

22	28S	32S	40	21	G3	A22	A28	A30
----	-----	-----	----	----	----	-----	-----	-----

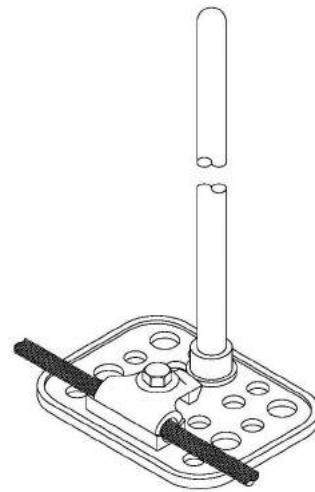


**60X**

**Adhesive Style Horizontal Mounting Base**

Cast bronze with 3/8" female threads.  
Wt. .96 lbs. each.

22	28S	32S	40	21	G3	A22	A28	A30
----	-----	-----	----	----	----	-----	-----	-----

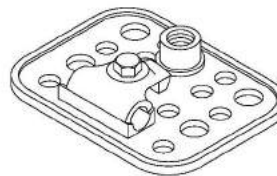


**60XB**

**Adhesive Style Horizontal Mounting Base**

Cast bronze with 1/2" female threads.  
Wt. .86 lbs. each.

22	28S	32S	40	21	G3	A22	A28	A30
----	-----	-----	----	----	----	-----	-----	-----



**A60XB**

**Adhesive Style Horizontal Mounting Base**

Cast aluminum with 1/2" female threads.  
Wt. .26 lbs. each.

22	28S	32S	40	21	G3	A22	A28	A30
----	-----	-----	----	----	----	-----	-----	-----

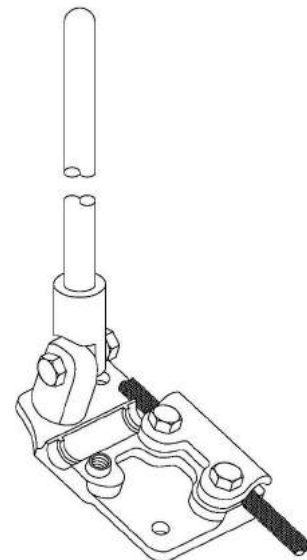


**338**

**Heavy Duty Adjustable Base – Short Neck**

Cast bronze with 3/8" female threads.  
Wt. 1.55 lbs. each.

22	28S	32S	40	21	G3	A22	A28	A30
----	-----	-----	----	----	----	-----	-----	-----

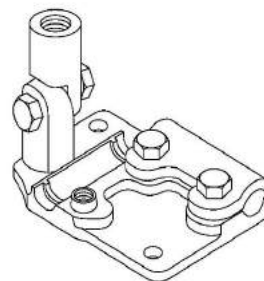


**339**

**Heavy Duty Adjustable Base – Short Neck**

Cast bronze with 1/2" female threads.  
Wt. 1.55 lbs. each.

22	28S	32S	40	21	G3	A22	A28	A30
----	-----	-----	----	----	----	-----	-----	-----



**A339**

**Heavy Duty Adjustable Base – Short Neck**

Cast aluminum with 1/2" female threads.  
Wt. .64 lb. each.

22	28S	32S	40	21	G3	A22	A28	A30
----	-----	-----	----	----	----	-----	-----	-----



**336**

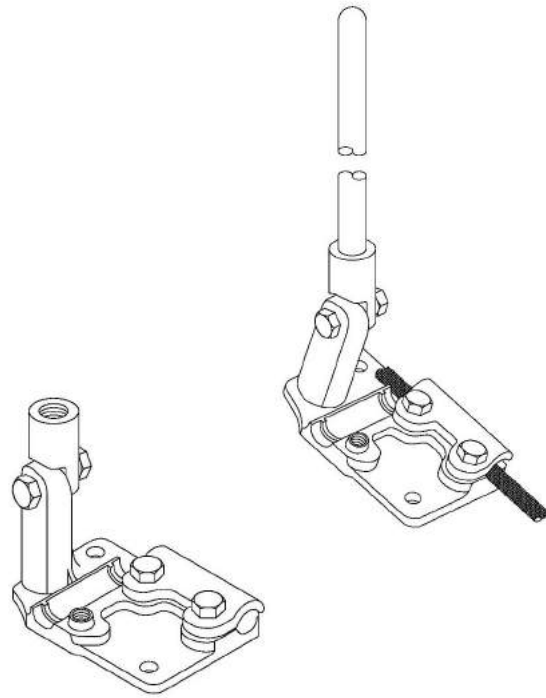
**Heavy Duty Adjustable Base – Long Neck**  
 Cast bronze part with 3/8" female threads.  
 Wt. 1.75 lbs. each.

22	28S	32S	40	21	G3	A22	A28	A30
----	-----	-----	----	----	----	-----	-----	-----

**337**

**Heavy Duty Adjustable Base – Long Neck**  
 Cast bronze part with 1/2" female threads.  
 Wt. 1.55 lbs. each.

22	28S	32S	40	21	G3	A22	A28	A30
----	-----	-----	----	----	----	-----	-----	-----



**15**

**A337**

**Heavy Duty Adjustable Base – Long Neck**  
 Cast aluminum with only 1/2" female threads. Wt. .64 lbs. each.

22	28S	32S	40	21	G3	A22	A28	A30
----	-----	-----	----	----	----	-----	-----	-----



**67B**

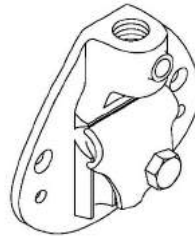
**Vertical Flat Surface Base**  
 Cast bronze with 1/2" female threads.  
 Wt. .78 lbs. each.

22	28S	32S	40	21	G3	A22	A28	A30
----	-----	-----	----	----	----	-----	-----	-----

**A67B**

**Vertical Flat Surface Base**  
 Cast aluminum with 1/2" female threads.  
 Wt. .26 lbs. each.

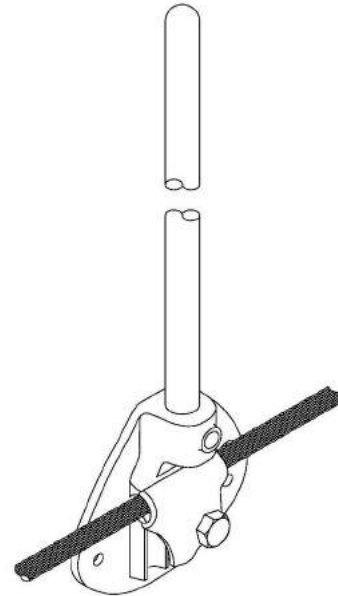
22	28S	32S	40	21	G3	A22	A28	A30
----	-----	-----	----	----	----	-----	-----	-----



**67C**

**Vertical Flat Surface Base**  
 Cast bronze with 3/8" female threads.  
 Wt. .80 lbs. each.

22	28S	32S	40	21	G3	A22	A28	A30
----	-----	-----	----	----	----	-----	-----	-----



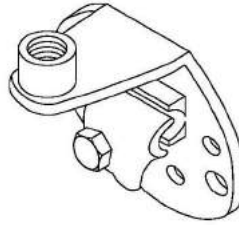


**273**

**Offset Vertical Base**

Cast bronze with 1/2" female threads. Air terminals are off-set 1-3/4" from mounting surface. Wt. .76 lbs. each.

27	28S	32S	40	21	G3	A22	A28	A30
----	-----	-----	----	----	----	-----	-----	-----

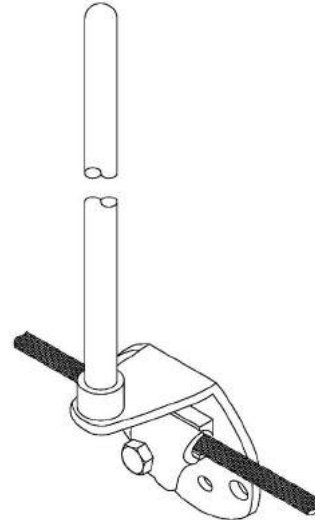


**A273**

**Offset Vertical Base**

Cast aluminum with 1/2" female threads. Wt. .25 lbs. each.

27	28S	32S	40	21	G3	A22	A28	A30
----	-----	-----	----	----	----	-----	-----	-----



**274**

**Offset Vertical Base Support**

Cast bronze with 3/8" female threads. Air terminals are off-set 1-3/4" from surface. Wt. .76 lbs. each.

27	28S	32S	40	21	G3	A22	A28	A30
----	-----	-----	----	----	----	-----	-----	-----

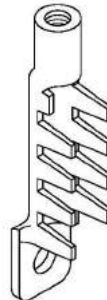


**271A**

**Vertical Mount for Chimney Base**

Cast bronze for use with 3/8" threaded rod. Part has crimp type cable fastener and set screw. Wt. .22 lbs. each.

27	28S	32S	40	21	G3	A22	A28	A30
----	-----	-----	----	----	----	-----	-----	-----

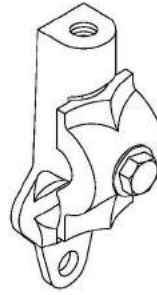


**C90X**

**Vertical Mount Chimney Base**

Cast bronze base with 3/8" female threads.  
Wt. .46 lbs. each.

22	28S	32S	40	21	G3	A22	A28	A30
----	-----	-----	----	----	----	-----	-----	-----

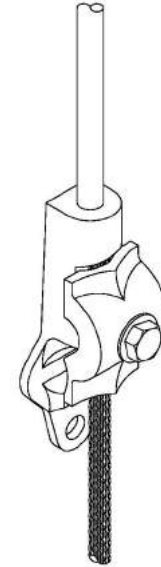


**AC90X**

**Vertical Mount Chimney Base**

Cast aluminum and 1/2" female threads.  
Wt. .16 lb. each.

22	28S	32S	40	21	G3	A22	A28	A30
----	-----	-----	----	----	----	-----	-----	-----



**17**

**C90Y**

**Vertical Mount Chimney Base**

Cast bronze base with 1/2" female threads.  
Wt. .50 lbs. each.

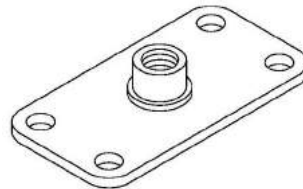
22	28S	32S	40	21	G3	A22	A28	A30
----	-----	-----	----	----	----	-----	-----	-----



**179**

**Flat Surface Horizontal Base**

Cast bronze has 8 square inches of bonding surface. With 3/8" female threads.  
Wt. .42 lbs. each.



**179A**

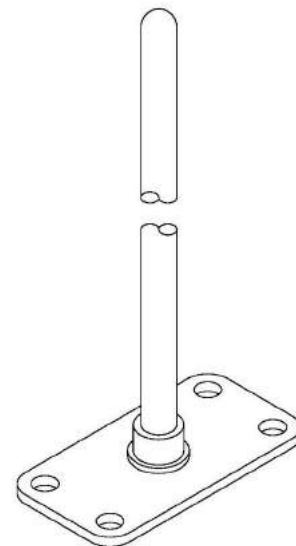
**Flat Surface Horizontal Base**

Cast bronze part has 8 square inches of bonding surface and has 1/2" female threads.  
Wt. .40 lbs. each.

**A179A**

**Flat Surface Horizontal Base**

Cast aluminum. Description same as above.  
Wt. .12 lbs. each.



**260**

**Heavy Duty Straight Connector**

Cast bronze part provided with 1/2" female threads and two hex-head bolts for securing cable. May be furnished with 5/8" threads when specified. Wt. .54 lbs. each.

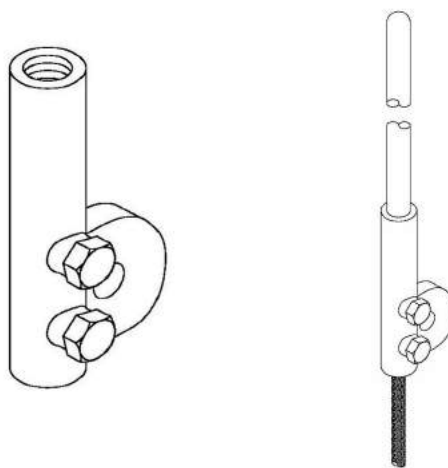
22	28S	32S	40	21	G3	A22	A28	A30
----	-----	-----	----	----	----	-----	-----	-----

**A260**

**Heavy Duty Straight Connector**

Cast aluminum. Description same as above. Wt. .22 lbs. each.

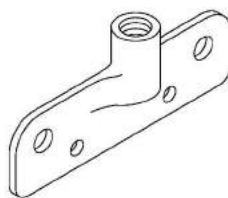
22	28S	32S	40	21	G3	A22	A28	A30
----	-----	-----	----	----	----	-----	-----	-----



**178**

**Flat Surface Vertical Base**

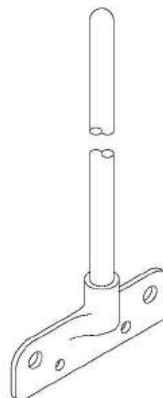
Cast bronze with 1/2" female threads and over 4 square inches of bonding surface. Wt. .30 lbs. each.



**A178**

**Flat Surface Vertical Base**

Cast aluminum. Description same as above. Wt. .10 lbs. each.

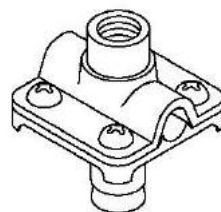


**60A**

**Flat Surface Air Terminal Base**

Cast bronze part is provided with 3/8" female threads and furnished with 5/16" lead anchor and screw. Wt. .68 lbs. each.

22	28S	32S	40	21	G3	A22	A28	A30
----	-----	-----	----	----	----	-----	-----	-----



**60A 1/2" ID**

**Flat Surface Air Terminal Base**

Cast bronze part is provided with 3/8" female threads and furnished with 5/16" lead anchor and screw. Wt. .68 lbs. each.

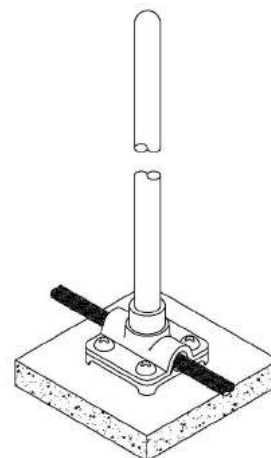
22	28S	32S	40	21	G3	A22	A28	A30
----	-----	-----	----	----	----	-----	-----	-----

**A60A 1/2" ID**

**Flat Surface Air Terminal Base**

Cast aluminum. Description same as above. Wt. .28 lbs. each.

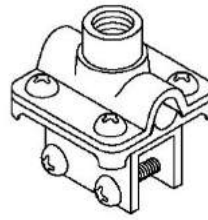
22	28S	32S	40	21	G3	A22	A28	A30
----	-----	-----	----	----	----	-----	-----	-----



**60SS**

**Standing Seam Base Support**

Cast bronze base support with cable fastener. Cable can run parallel or perpendicular to standing seam. Part is furnished with 3/8" female and for seams up to 13/16" Wt. .93 lbs. each.

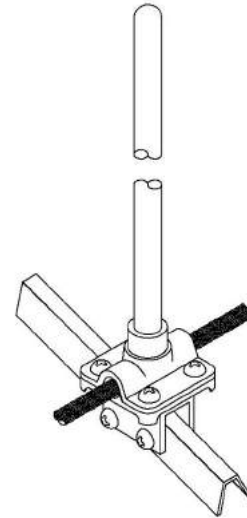


22	28S	32S	40	21	G3	A22	A28	A30
----	-----	-----	----	----	----	-----	-----	-----

**60SS 1/2" ID**

**Standing Seam Base Support**

Cast bronze base support with cable fastener. Cable can run parallel or perpendicular to standing seam. Part is furnished with 1/2" female threads and for seams up to 13/16" wide. Wt. .93 lbs. each.



22	28S	32S	40	21	G3	A22	A28	A30
----	-----	-----	----	----	----	-----	-----	-----

19

**A60SS 1/2" ID**

**Standing Seam Base Support**

Aluminum base support with cable fastener. Cable can run parallel or perpendicular to standing seam. Part is furnished with 1/2" ID female threads and for seams up to 7/8" wide. Wt. .32 lbs. each.

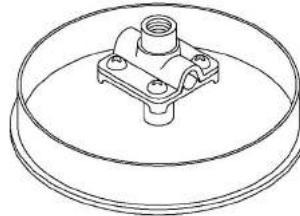
22	28S	32S	40	21	G3	A22	A28	A30
----	-----	-----	----	----	----	-----	-----	-----



**266B**

**Pan Type Adhesive Air Terminal Base**

Cast bronze base with 3/8" female threads and outer diameter of pan is 6" OD. Pan is fastened with adhesive and filled with stone chips or concrete. Wt. 2.90 lbs. each.

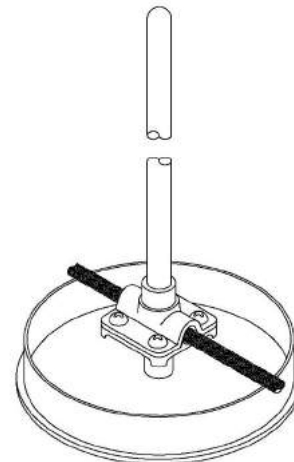


22	28S	32S	40	21	G3	A22	A28	A30
----	-----	-----	----	----	----	-----	-----	-----

**266B 1/2" ID**

**Pan Type Adhesive Air Terminal Base**

Cast bronze base with 1/2" ID female threads and outer diameter of pan is 6" OD. Pan is fastened with adhesive and filled with stone chips or concrete. Wt. 2.90 lbs. each.



22	28S	32S	40	21	G3	A22	A28	A30
----	-----	-----	----	----	----	-----	-----	-----

**A266B**

**Pan Type Adhesive Air Terminal Base**

Cast aluminum. 1/2" female only. Description same as above. Wt. .98 lbs. each.

22	28S	32S	40	21	G3	A22	A28	A30
----	-----	-----	----	----	----	-----	-----	-----



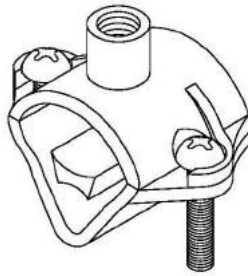
**181**

**Railing Bracket Air Terminal Base**

Cast bronze part is for use with railings up to 1-3/4" diameter. Part is threaded for 3/8" female.

Wt. .74 lbs. each.

22	28S	32S	40	21	G3	A22	A28	A30
----	-----	-----	----	----	----	-----	-----	-----



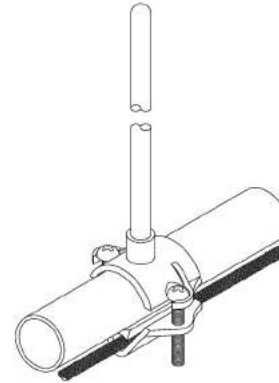
**181A**

**Railing Bracket Air Terminal Base**

Cast bronze part is for use with railing up to 1-3/4" diameter. Part is threaded for 1/2" female threads.

Wt. .74 lbs. each.

22	28S	32S	40	21	G3	A22	A28	A30
----	-----	-----	----	----	----	-----	-----	-----



**A181A**

**Railing Bracket Air Terminal Base**

Cast aluminum. Description same as above.

Wt. .28 lbs. each.

22	28S	32S	40	21	G3	A22	A28	A30
----	-----	-----	----	----	----	-----	-----	-----



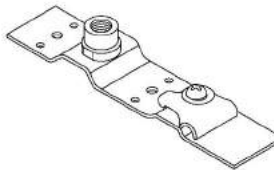
**M55**

**Shorter Saddle Style Air Terminal Base**

Copper strap material is 6" in length for applications where space is limited. Part is furnished with 3/8" female threads.

Wt. .48 lbs. each.

22	28S	32S	40	21	G3	A22	A28	A30
----	-----	-----	----	----	----	-----	-----	-----



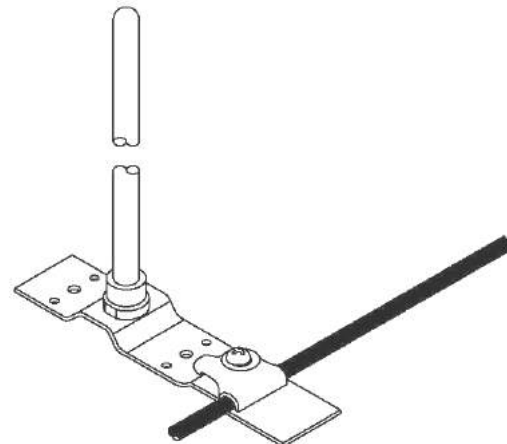
**M55 1/2" ID**

**Shorter Saddle Style Air Terminal Base**

Copper strap material is 6" in length for applications where space is limited.

Wt. .48 lbs. each.

22	28S	32S	40	21	G3	A22	A28	A30
----	-----	-----	----	----	----	-----	-----	-----



**MA55 1/2" ID**

**Shorter Saddle Style Air Terminal Base**

Aluminum strap material. Description same as above.

Wt. .20 lbs. each.

22	28S	32S	40	21	G3	A22	A28	A30
----	-----	-----	----	----	----	-----	-----	-----

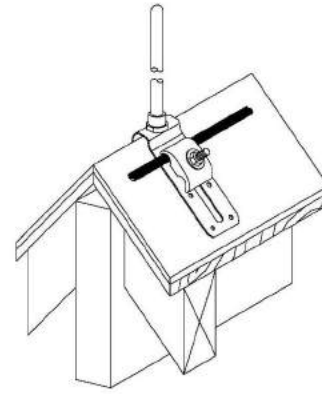


**M74**

**Slider Saddle Base (FROM PG 22)**

Copper strap material 11" in length with adjustable slider cable support. Part is furnished with 3/8" female threads. Wt. .77 lbs. each.

28	28S	32S	40	21	G3	A22	A28	A30
----	-----	-----	----	----	----	-----	-----	-----

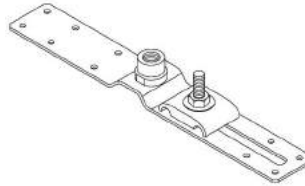


**M74 1/2" ID**

**Slider Saddle Base**

Copper strap material 11" in length with adjustable slider cable support. Part is furnished with 1/2" female threads. Wt. .77 lbs. each.

28	28S	32S	40	21	G3	A22	A28	A30
----	-----	-----	----	----	----	-----	-----	-----



**MA74 1/2" ID**

**Slider Style Saddle Base**

Aluminum strap material with 1/2" female threads. Description same as above. Wt. .36 lbs. each.

28	28S	32S	40	21	G3	A22	A28	A30
----	-----	-----	----	----	----	-----	-----	-----

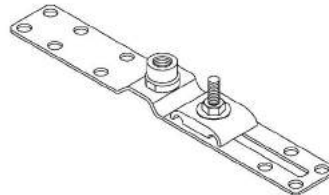


**M74Y**

**Paste Down Saddle Base**

Copper strap 12" in length with clamp down cable connector. Part is furnished with 3/8" female threads. Wt. .70 lbs. each.

28	28S	32S	40	21	G3	A22	A28	A30
----	-----	-----	----	----	----	-----	-----	-----



**M74Y 1/2" ID**

**Paste Down Saddle Base**

Copper strap 12" in length with clamp down cable connector. Part is furnished with 1/2" female threads. Wt. .70 lbs. each.

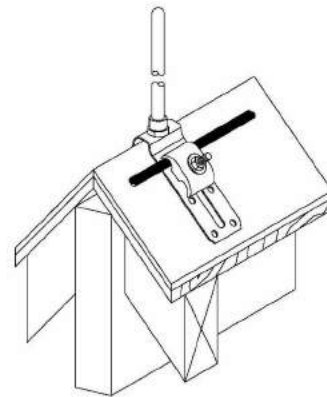
28	28S	32S	40	21	G3	A22	A28	A30
----	-----	-----	----	----	----	-----	-----	-----

**MA74Y 1/2" ID**

**Paste Down Saddle Base**

Aluminum strap material with 1/2" female threads. Description same as above. Wt. .28 lbs. each.

28	28S	32S	40	21	G3	A22	A28	A30
----	-----	-----	----	----	----	-----	-----	-----

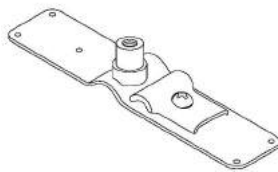


**F414**

**Concealed Saddle Base**

Cast bronze is 6-1/4" in length with 3/8" female threads.  
Wt. .32 lbs. each.

28	28S	32S	40	21	G3	A22	A26	A30
----	-----	-----	----	----	----	-----	-----	-----

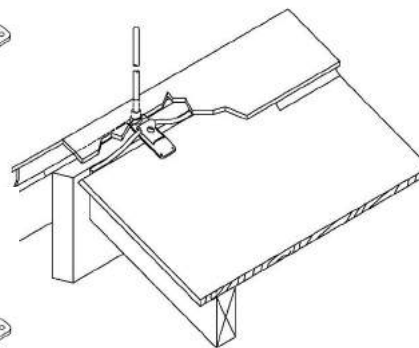
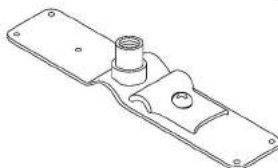


**F414H**

**Concealed Saddle Base**

Cast bronze part with 1/2" female threads.  
Wt. .32 lbs. each

28	28S	32S	40	21	G3	A22	A26	A30
----	-----	-----	----	----	----	-----	-----	-----



**AF414**

**Concealed Saddle Base**

Cast aluminum with 1/2" female threads.  
Wt. .14 lbs. each.

22	28S	32S	40	21	G3	A22	A28	A30
----	-----	-----	----	----	----	-----	-----	-----

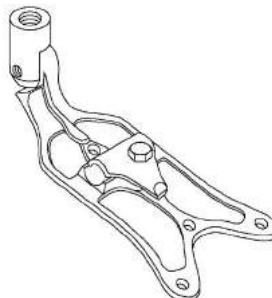


**243**

**Semi-Concealed Adjustable Base**

Cast bronze base with adjustable adaptor and is furnished with 3/8" female threads.  
Wt. 1.08 lbs. each.

28	28S	32S	40	21	G3	A22	A26	A30
----	-----	-----	----	----	----	-----	-----	-----



**243 1/2" ID**

**Semi-Concealed Adjustable Base**

Cast bronze base with adjustable adaptor and is furnished with 1/2" female threads.  
Wt. 1.08 lbs. each.

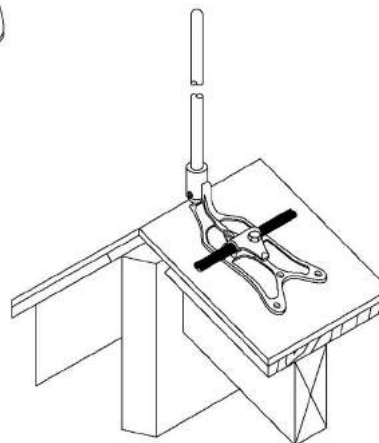
28	28S	32S	40	21	G3	A22	A26	A30
----	-----	-----	----	----	----	-----	-----	-----

**A243 1/2" ID**

**Semi-Concealed Adjustable Base**

Cast aluminum with 1/2" female threads.  
Description same as above.  
Wt. .36 lbs. each.

22	28S	32S	40	21	G3	A22	A28	A30
----	-----	-----	----	----	----	-----	-----	-----



**240 Series**

**Concealed Base Assembly**

Assembly includes threaded stainless steel stem, neoprene washer, nailing bracket, cable connector, stainless steel washer and nut. Longer length stems available upon request.

28S	32S	40	21	35	A22	A28	A30	UL
-----	-----	----	----	----	-----	-----	-----	----

**240** Assembly Copper, 3/8" x 15" stem.  
Wt. 1.02 lbs. each.

**A240** Assembly Aluminum, 1/2" x 15" stem.  
Wt. .50 lbs. each.

**240B** Assembly Copper, 3/8" x 18" stem.  
Wt. 1.16 lbs. each.

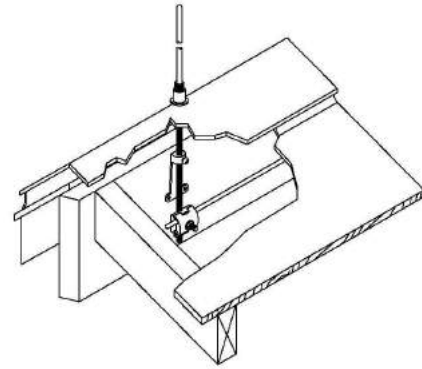
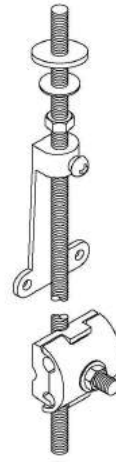
**240-24"** Assembly Copper, 3/8" x 24" stem.  
Wt. 1.31 lbs. each.

**23**

**A240B** Assembly Aluminum, 1/2" x 18" stem.  
Wt. .55 lbs. each.

**240X** Assembly Copper, 1/2" x 15" stem.  
Wt. 1.14 lbs. each.

**240D** Assembly Copper, 1/2" x 18" stem.  
Wt. 1.36 lbs. each.



**240 Series Component Parts**

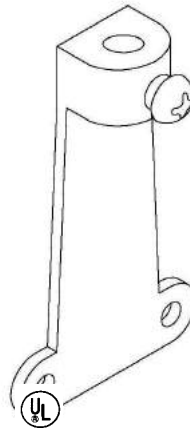
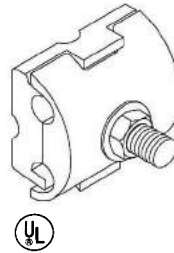
Descriptions are noted above.

**240 Connector**

**A240 Connector**

**240 Nail Bracket**

**A240 Nail Bracket**



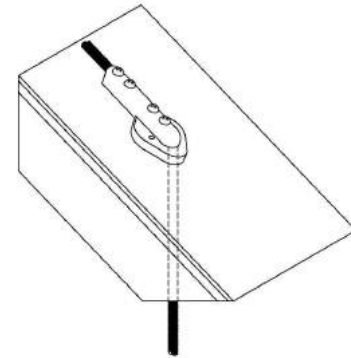
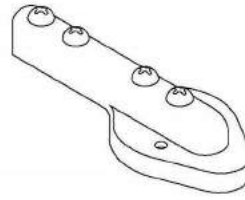


**325**

**Thru Roof Connector**

Cast bronze connector with pressure style cable fastener on top and crimp connector on bottom side. Bottom side of part is recessed to allow for sealant to assure a weather tight seal. Wt. .72 lbs. each.

28	28S	32S	40	21	G3	A28	A28	A30
----	-----	-----	----	----	----	-----	-----	-----

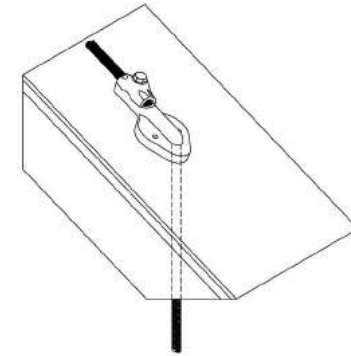
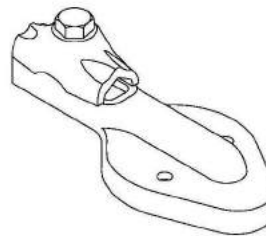


**A325**

**Thru Roof Connector**

Cast aluminum connector with pressure style cable fastener on top of crimp connector on bottom side. Bottom side part is recessed to allow for sealant to assure a weather tight seal. Wt. .24 lbs. each.

28	28S	32S	40	21	G3	A28	A28	A30
----	-----	-----	----	----	----	-----	-----	-----



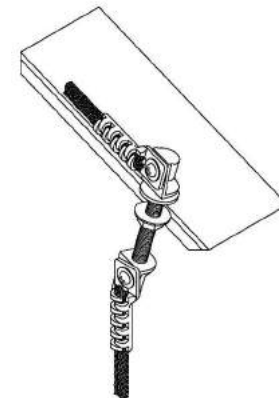
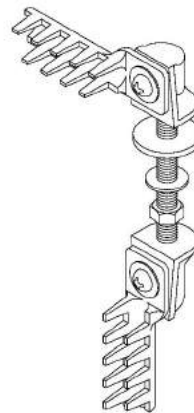
**272A**

**Thru Roof Connector**

Cast bronze with swivel crimp connector on each end with threaded stainless steel rod 3/8" x 4-3/4".

Wt. .76 lb. each.

28	28S	32S	40	21	G3	A28	A28	A30
----	-----	-----	----	----	----	-----	-----	-----



**A272A**

**Thru Roof Connector**

Cast aluminum. Threaded stainless steel rod 1/2" x 4-3/4". Description same as above.

Wt. .46 lbs. each.

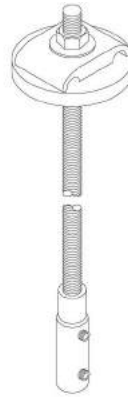
28	28S	32S	40	21	G3	A28	A28	A30
----	-----	-----	----	----	----	-----	-----	-----

**597C**

**Thru Roof Connector for 1-1/2" PVC**

Cast bronze and machined brass assembly consists of IP-597 Cap, cable connector, IP-M597C bottom cable connector and 1/2" x 8" threaded stainless steel rod. Wt. 1.18 lbs. each.

22	28S	32S	40	21	G3	A22	A28	A30
----	-----	-----	----	----	----	-----	-----	-----

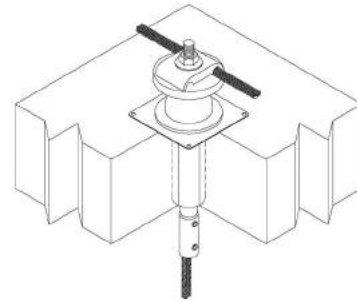


**A597C**

**Thru Roof Connector for 1-1/2" PVC**

Cast and machined aluminum assembly. Description same as above. Furnished with IP-MA597C bottom cable connector. Wt. .64 lbs. each.

22	28S	32S	40	21	G3	A22	A28	A30
----	-----	-----	----	----	----	-----	-----	-----



**597BM**

**Bimetallic Thru Roof Connector for 1-1/2" PVC**

Cast bronze and aluminum assembly consists of aluminum IP-A597 cap, cable connector on top, IP-M597 bottom cable connector with hex-head bolts and 1/2" x 8" threaded stainless steel rod. Wt. .80 lbs. each.

22	28S	32S	40	21	G3	A22	A28	A30
----	-----	-----	----	----	----	-----	-----	-----



**597P**

**Thru Roof Connector Assembly for 1" PVC**

Cast bronze and machined brass assembly consists of IP-297A cable connector, IP-247A neoprene washer, PVC end cap, and IP-M597C bottom cable connector with set screws. Overall assembly length is 4-1/2". Wt. .60 lbs. each.

22	28S	32S	40	21	G3	A22	A28	A30
----	-----	-----	----	----	----	-----	-----	-----



25

**A597P**

**Thru Roof Connector Assembly for 1" PVC**

Cast and machined aluminum. Description same as above. Wt. .60 lbs. each.

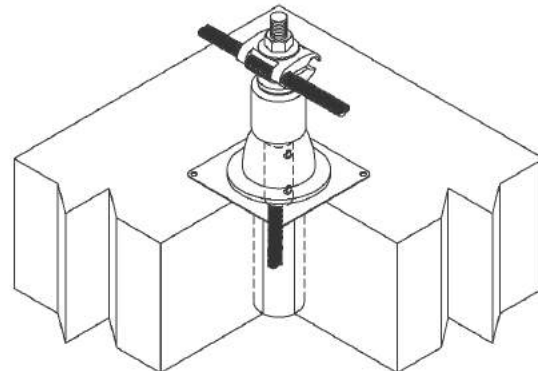
22	28S	32S	40	21	G3	A22	A28	A30
----	-----	-----	----	----	----	-----	-----	-----

**597PBM**

**Thru Roof Connector Assembly for 1" PVC**

Cast aluminum and machined brass assembly consists of IP-A297A cable connector, IP-247A neoprene washer, PVC end cap, and IP-M597C bottom cable connector with set screws. Overall assembly length is 4-1/2". Wt. .60 lbs. each

22	28S	32S	40	21	G3	A22	A28	A30
----	-----	-----	----	----	----	-----	-----	-----

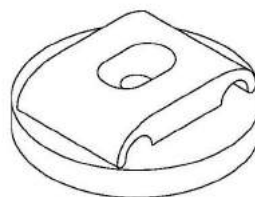


**597 Cap**

**Thru Roof Connector and Cap**

Cast bronze includes both the IP-60U cable connector and cap and is drilled out for 1/2" rod. Nut and washer are not included. Wt. .60 lbs. each.

22	28S	32S	40	21	G3	A22	A28	A30
----	-----	-----	----	----	----	-----	-----	-----



**A597 Cap**

**Thru Roof Connector and Cap**

Aluminum. Description same as above. Wt. .18 lbs. each.

22	28S	32S	40	21	G3	A22	A28	A30	
----	-----	-----	----	----	----	-----	-----	-----	--

**#334T - 3/8" Threaded SS Rod**

Furnished in multiples of 1" or by the foot. Wt. .30 lb. per foot.

**#335T - 1/2" Threaded SS Rod**

Furnished in multiples of 1" or by the foot. Wt. .54 lb. per foot.



**M597 Bottom Only**

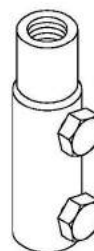
Machined brass connector with hex-head bolts. Wt. .26 lbs. each.

22	28S	32S	40	21	G3	A22	A28	A30
----	-----	-----	----	----	----	-----	-----	-----

**MA597 Bottom Only**

Machined aluminum. Description same as above. Wt. .10 lbs. each.

22	28S	32S	40	21	G3	A22	A28	A30	
----	-----	-----	----	----	----	-----	-----	-----	--



**M597C Bottom Only**

Machined brass connector with set screws. Wt. .26 lbs. each.

22	28S	32S	40	21	G3	A22	A28	A30
----	-----	-----	----	----	----	-----	-----	-----

**MA597C Bottom Only**

Machined aluminum. Description same as above. Wt. .26 lbs. each.

22	28S	32S	40	21	G3	A22	A28	A30	
----	-----	-----	----	----	----	-----	-----	-----	--



**597R**

**Right Angle Thru Roof Connector**

Cast thru roof connector consists of 596 bus connector, neoprene washer, hex nut, washer, IP-M597 bottom cable connector and 1/2" x 8" threaded stainless steel rod. Longer lengths of threaded rod available upon request. Wt. 1.30 lbs. each.

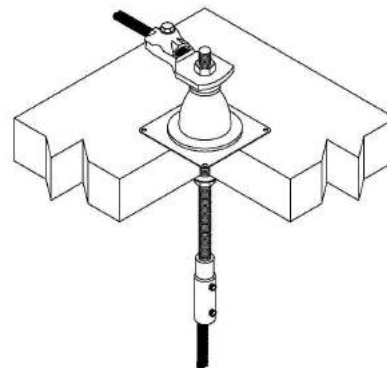
22	28S	32S	40	21	G3	A22	A28	A30
----	-----	-----	----	----	----	-----	-----	-----

**A597R**

**Right Angle Thru Roof Connector**

Cast aluminum. Description same as above. Wt. .74 lbs. each.

22	28S	32S	40	21	G3	A22	A28	A30	
----	-----	-----	----	----	----	-----	-----	-----	--

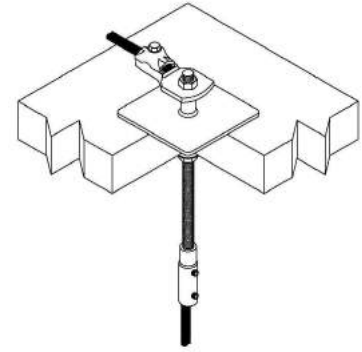
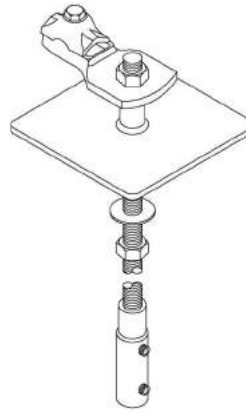


**597X**

**Right Angle Thru Roof Connector**

Cast bronze thru roof connector consists of IP-596 bus connector, neoprene washer, hex nut, washer, IP-M597 bottom cable connector and 1/2" x 8" threaded stainless steel rod. Longer lengths of threaded rod available upon request. Wt. 2.04 lbs. each.

22	28S	32S	40	21	G3	A22	A28	A30
----	-----	-----	----	----	----	-----	-----	-----



**A597X**

**Right Angle Thru Roof Connector**

Aluminum. Description same as above. Wt. 1.10 lbs. each.

22	28S	32S	40	21	G3	A22	A28	A30
----	-----	-----	----	----	----	-----	-----	-----

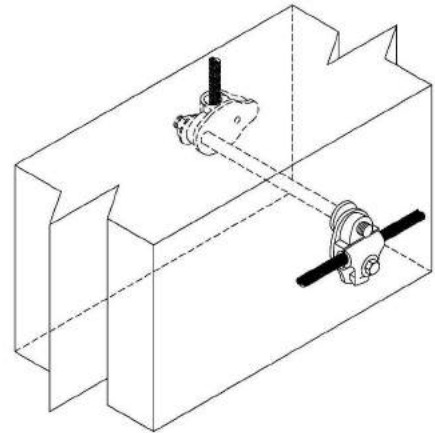
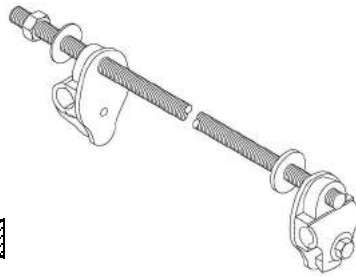


**272X**

**Thru-Wall Connector**

Cast bronze assembly includes two bronze cable connectors, 1/2" x 12" threaded stainless steel rod, neoprene washer, hex nut and washer. Longer lengths of threaded rod available upon request. Wt. 1.78 lbs. each

22	28S	32S	40	21	G3	A22	A28	A30
----	-----	-----	----	----	----	-----	-----	-----

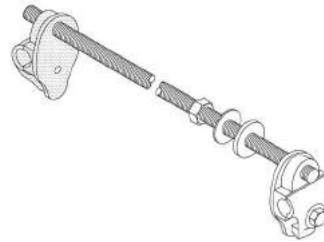


**A272X**

**Thru-Wall Connector**

Cast aluminum. Description same as above. Wt. .60 lbs. each.

22	28S	32S	40	21	G3	A22	A28	A30
----	-----	-----	----	----	----	-----	-----	-----



**272X BM**

**Bi-Metal Thru-Wall Connector**

Assembly has cable connectors in bronze and aluminum. Description same as above. Wt. 1.20 lbs. each.

22	28S	32S	40	21	G3	A22	A28	A30
----	-----	-----	----	----	----	-----	-----	-----

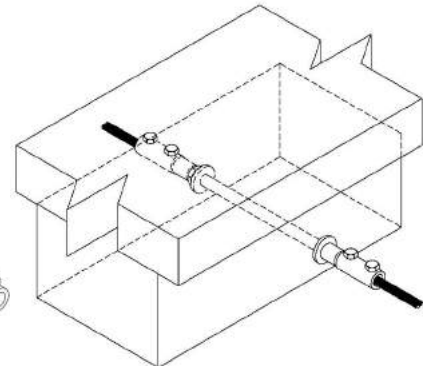
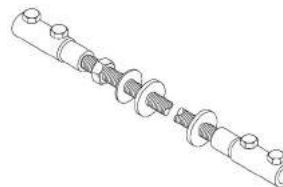


**597**

**Straight Thru Wall Assembly**

Thru wall assembly consists of two neoprene washers, hex nut, washer, IP-M597 cable connector on each end and 1/2" x 8" threaded stainless steel rod. Longer lengths of rod available upon request. Wt. 1.10 lbs. each.

22	28S	32S	40	21	G3	A22	A28	A30
----	-----	-----	----	----	----	-----	-----	-----



**A597**

**Straight Thru Wall Assembly**

Machined aluminum. Description same as above. Wt. .68 lbs. each.

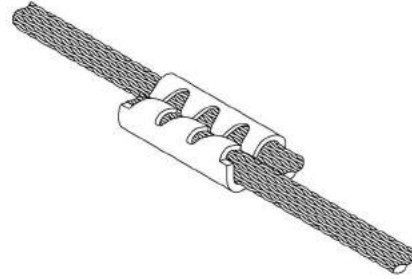
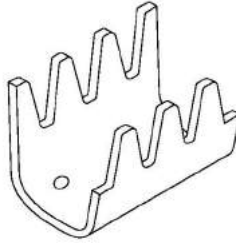
22	28S	32S	40	21	G3	A22	A28	A30
----	-----	-----	----	----	----	-----	-----	-----



**193S****Parallel Splicer**

Pressed copper crimp splicer 2" length.  
Wt. .12 lbs. each.

22	28S	32S	40	21	G3	A22	A28	A30
----	-----	-----	----	----	----	-----	-----	-----

**A193S****Parallel Splicer**

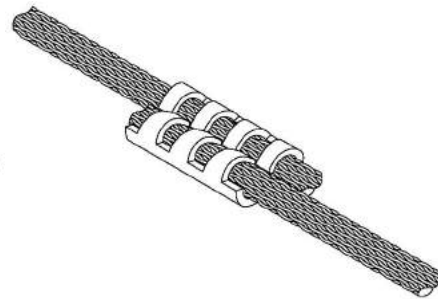
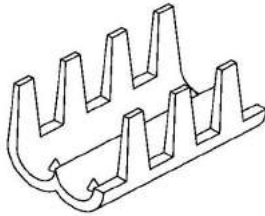
Pressed aluminum. Description same as above. Wt. .06 lbs. each.

22	28S	32S	40	21	G3	A28	A28	A30
----	-----	-----	----	----	----	-----	-----	-----

**193A****Parallel Splicer**

Cast bronze crimp splicer 2" length.  
Wt. .16 lbs. each.

22	28S	32S	40	21	G3	A22	A28	A30
----	-----	-----	----	----	----	-----	-----	-----

**A193A****Parallel Splicer**

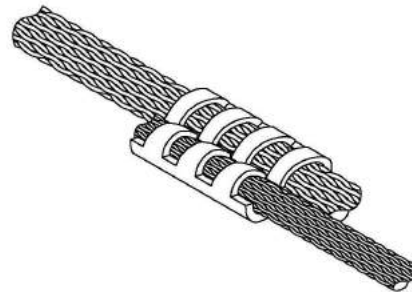
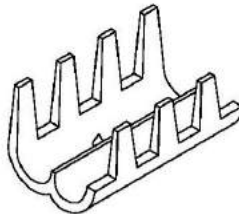
Cast aluminum. Description same as above. Wt. .06 lbs. each.

22	28S	32S	40	21	G3	A28	A28	A30
----	-----	-----	----	----	----	-----	-----	-----

**193X****Parallel Splicer**

Cast bronze crimp splicer 2" length. For one main cable and one bonding cable.  
Wt. .08 lbs. each.

22	28S	32S	40	21	G3	A22	A28	A30
----	-----	-----	----	----	----	-----	-----	-----

**A193X****Parallel Splicer**

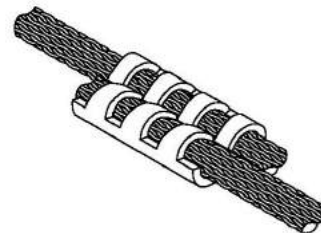
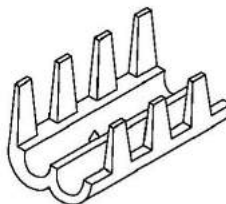
Cast aluminum. Description same as above.  
Wt. .06 lbs. each.

22	28S	32S	40	21	G3	A22	A28	A30
----	-----	-----	----	----	----	-----	-----	-----

**193X22****Parallel Splicer**

Cast bronze crimp splicer 2" length. For use with two bonding cables. Wt. .10 lbs. each.

22	28S	32S	40	21	G3	A28	A28	A30
----	-----	-----	----	----	----	-----	-----	-----

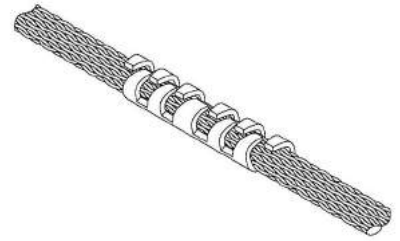


**33L**

**Straight Splicer**

Pressed copper crimp splicer 3-3/4" length. Wt. .10 lbs. each.

28	28S	32S	40	21	G3	A22	A28	A30
----	-----	-----	----	----	----	-----	-----	-----

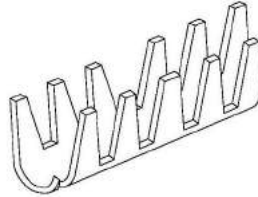


**A33L**

**Straight Splicer**

Pressed aluminum. Description same as above. Wt. .04 lbs. each.

28	28S	32S	40	21	G3	A22	A28	A30
----	-----	-----	----	----	----	-----	-----	-----



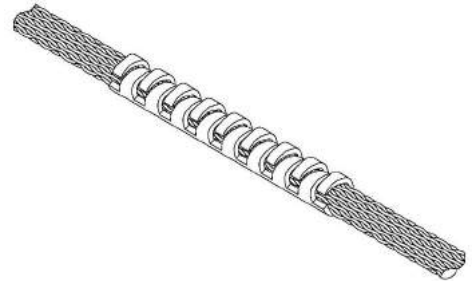
29

**33X**

**Straight Splicer**

Cast bronze crimp splicer 4-1/2" length. Wt. .20 lbs. each.

28	28S	32S	40	21	G3	A22	A28	A30
----	-----	-----	----	----	----	-----	-----	-----

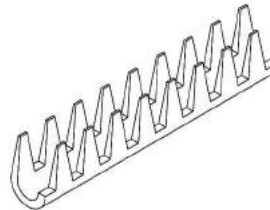


**A33X**

**Straight Splicer**

Cast aluminum. Description same as above. Wt. .08 lbs. each.

28	28S	32S	40	21	G3	A22	A28	A30
----	-----	-----	----	----	----	-----	-----	-----

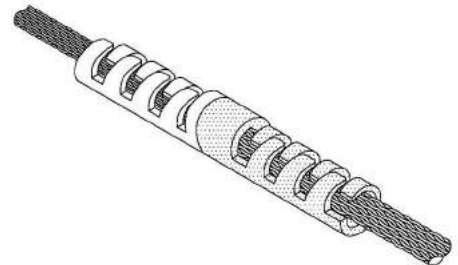
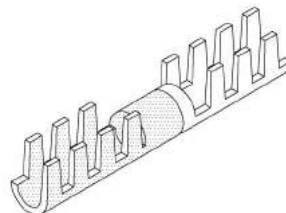


**A33D**

**Bimetal Straight Splicer**

Cast aluminum and bronze crimp splicer 5-1/2" length. Wt. .36 lbs. each.

28	28S	32S	40	21	G3	A22	A28	A30
----	-----	-----	----	----	----	-----	-----	-----



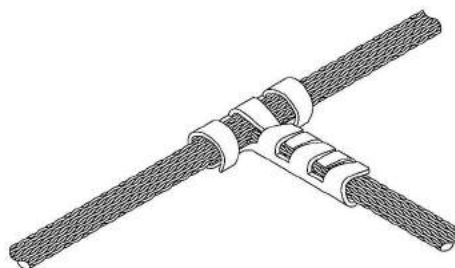
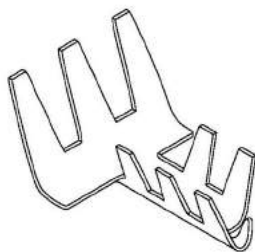
29

**34L**

**"T" Splicer**

Pressed copper crimp splicer.  
Wt. .12 lbs. each.

22	28S	32S	40	21	G3	A22	A28	A30
----	-----	-----	----	----	----	-----	-----	-----



**A34L**

**"T" Splicer**

Pressed aluminum. Description same as above. Wt. .04 lbs. each.

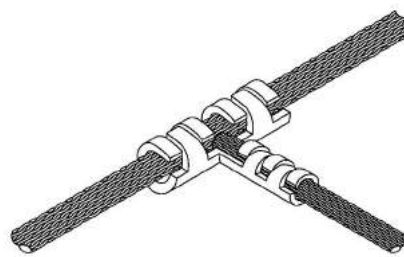
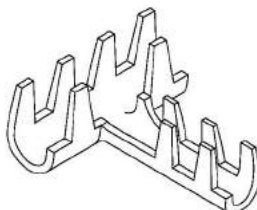
22	28S	32S	40	21	G3	A22	A28	A30
----	-----	-----	----	----	----	-----	-----	-----

**3**

**"T" Splicer**

Cast bronze crimp splicer. For one primary and secondary cable. Wt. .10 lbs. each.

22	28S	32S	40	21	G3	A22	A28	A30
----	-----	-----	----	----	----	-----	-----	-----



**A3**

**"T" Splicer**

Cast aluminum. Description same as above. Wt. .08 lbs. each.

22	28S	32S	40	21	G3	A22	A28	A30
----	-----	-----	----	----	----	-----	-----	-----

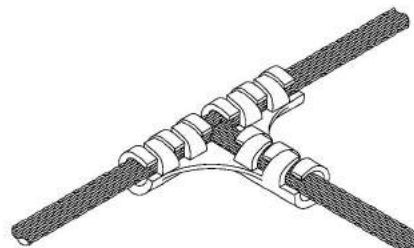
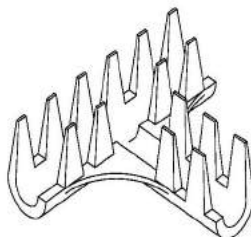


**262**

**"T" Splicer**

Cast bronze crimp splicer.  
Wt. .22 lbs. each.

22	28S	32S	40	21	G3	A22	A28	A30
----	-----	-----	----	----	----	-----	-----	-----



**A262**

**"T" Splicer**

Cast aluminum. Description same as above. Wt. .12 lbs. each.

22	28S	32S	40	21	G3	A22	A28	A30
----	-----	-----	----	----	----	-----	-----	-----

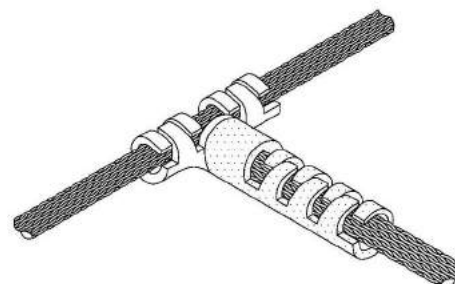
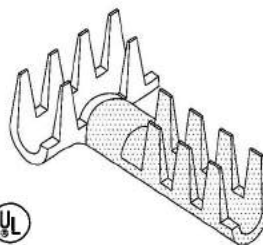


**A34B**

**Bimetal "T" Splicer**

Cast aluminum and bronze crimp splicer for use with copper and aluminum cable. Wt. .30 lbs. each.

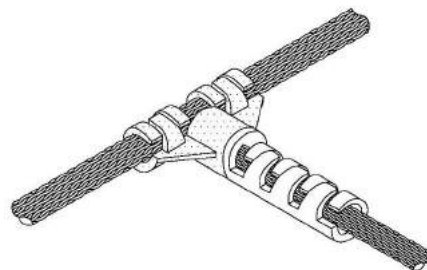
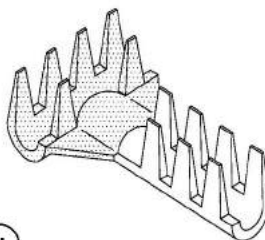
22	28S	32S	40	21	G3	A22	A28	A30
----	-----	-----	----	----	----	-----	-----	-----



**A34A**

**Bimetal "T" Splicer**

Cast aluminum and bronze crimp splicer for use with copper and aluminum cable. Wt. .34 lbs. each.

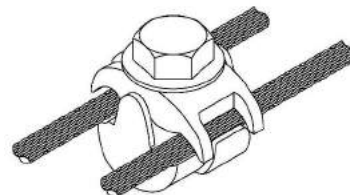
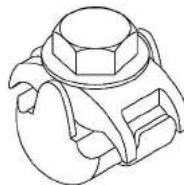


22	28S	32S	40	21	G3	A22	A28	A30	UL
----	-----	-----	----	----	----	-----	-----	-----	----

**297**

**Secondary Multi-Purpose Clamp**

Cast bronze crimp splicer 3/4" length. For one primary and one secondary cable. Wt. .22 lbs. each.



22	28S	32S	40	21	G3	A22	A28	A30
----	-----	-----	----	----	----	-----	-----	-----

**A297**

**Secondary Multi-Purpose Clamp**

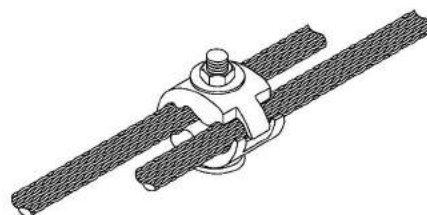
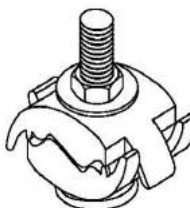
Cast aluminum. Description same as above. Wt. .08 lbs. each.

22	28S	32S	40	21	G3	A22	A28	A30	UL
----	-----	-----	----	----	----	-----	-----	-----	----

**25G**

**Secondary All Purpose Parallel Connector**

Cast bronze pressure style connector 1" length. For one primary and one secondary cable. Wt. .28 lbs. each.



22	28S	32S	40	21	G3	A22	A28	A30
----	-----	-----	----	----	----	-----	-----	-----

**A25G**

**Secondary All Purpose Parallel Connector**

Cast aluminum. Description same as above. Wt. .14 lbs. each.

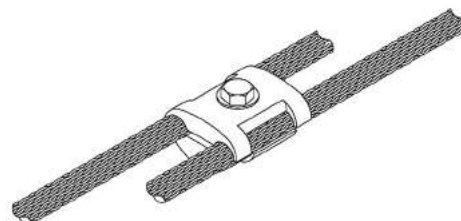
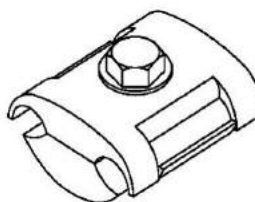
22	28S	32S	40	21	G3	A22	A28	A30	UL
----	-----	-----	----	----	----	-----	-----	-----	----

**297A**

**Large Parallel Multi-Purpose Clamp**

Cast bronze pressure style connector 2" length. Wt. is .38 lbs. each.

22	28S	32S	40	21	G3	A22	A28	A30
----	-----	-----	----	----	----	-----	-----	-----



**A297A**

**Large Parallel Multi-Purpose Clamp**

Cast aluminum. Description same as above. Wt. .14 lbs. each.

22	28S	32S	40	21	G3	A22	A28	A30	UL
----	-----	-----	----	----	----	-----	-----	-----	----

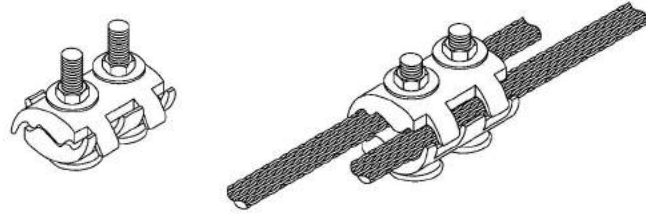


**G28**

**Parallel All Purpose Connector**

Cast bronze pressure style connector 2" in length. Wt. is .54 each.

22	28S	32S	40	21	G3	A28	A28	A30
----	-----	-----	----	----	----	-----	-----	-----



**AG28**

**Parallel All Purpose Connector**

Cast aluminum pressure style connector 2" in length. Wt. .28 lbs. each.

22	28S	32S	40	21	G3	A22	A28	A30
----	-----	-----	----	----	----	-----	-----	-----

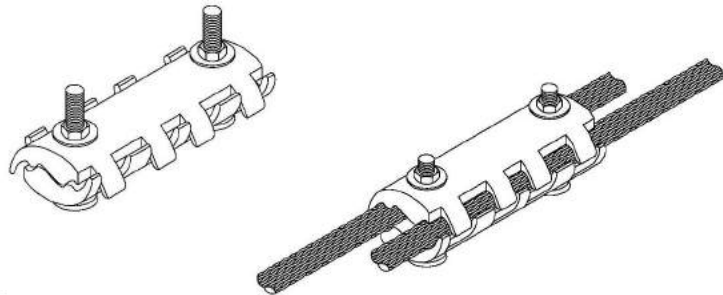


**G27**

**Large Parallel All Purpose Connector**

Cast bronze pressure type connector 4" in length. Wt. .86 lbs. each.

22	28S	32S	40	21	G3	A28	A28	A30
----	-----	-----	----	----	----	-----	-----	-----



**AG27**

**Large Parallel All Purpose Connector**

Cast aluminum pressure type connector 4" in length. Wt. .34 lbs. each.

22	28S	32S	40	21	G3	A22	A28	A30
----	-----	-----	----	----	----	-----	-----	-----

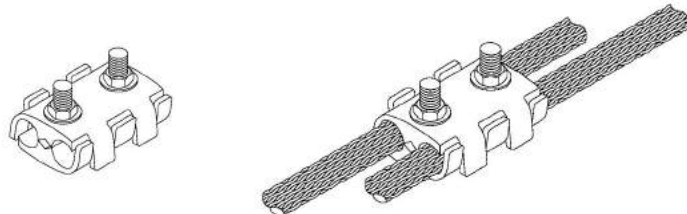


**296**

**Heavy Duty Parallel All Purpose Connector**

Cast bronze pressure style connector 2-1/2" in length. Wt. .80 lbs. each.

22	28S	32S	40	21	G3	A22	A28	A30
----	-----	-----	----	----	----	-----	-----	-----



**A296**

**Heavy Duty Parallel All Purpose Connector**

Cast aluminum pressure style connector 2-1/2" in length. Wt. .38 lbs. each.

22	28S	32S	40	21	G3	A22	A28	A30
----	-----	-----	----	----	----	-----	-----	-----

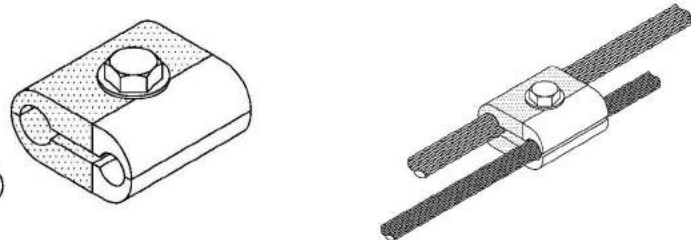


**A41P**

**Parallel Bimetal Connector**

Cast bronze and aluminum pressure style connector. Wt. .30 lbs. each.

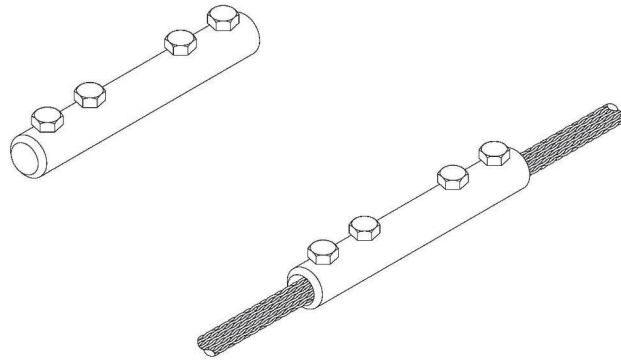
22	28S	32S	40	21	G3	A22	A28	A30
----	-----	-----	----	----	----	-----	-----	-----



**MG73**

**Heavy Duty Straight Cable Connector**  
Machined brass bolt style part 4-7/8" length. Wt. .65 lbs. each.

22	28S	32S	40	21	G3	A22	A28	A30
----	-----	-----	----	----	----	-----	-----	-----



**MAG73**

**Heavy Duty Straight Cable Connector**  
Machined aluminum bolt style part 4-7/8" in length. Wt. .24 lbs. each.

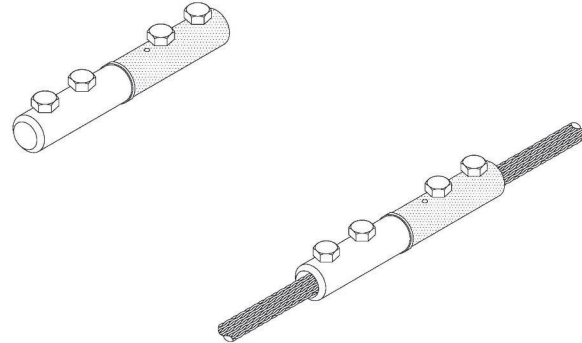
22	28S	32S	40	21	G3	A22	A28	A30
----	-----	-----	----	----	----	-----	-----	-----



**MA175**

**Bimetal Connector-Disconnecter**  
Machined brass and aluminum part for use with copper and aluminum cables. Length is 5". Wt. .45 lbs. each.

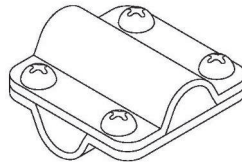
22	28S	32S	40	21	G3	A22	A28	A30
----	-----	-----	----	----	----	-----	-----	-----



**119**

**Cross Run Connector**  
Cast bronze pressure type connector for connecting two cables. Wt. .58 lbs. each.

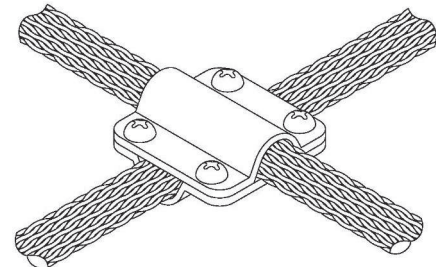
22	28S	32S	40	21	G3	A22	A28	A30
----	-----	-----	----	----	----	-----	-----	-----



**119A**

**Cross Run Connector**  
Cast bronze pressure type connector for connecting two larger cables up to 5/8" diameter. Wt. is .46 lbs. each.

22	28S	32S	40	21	G3	A22	A28	A30
----	-----	-----	----	----	----	-----	-----	-----



**A119A**

**Cross Run Connector**  
Cast aluminum pressure type connector for connecting two cables. Wt. .16 lbs. each.

22	28S	32S	40	21	G3	A22	A28	A30
----	-----	-----	----	----	----	-----	-----	-----

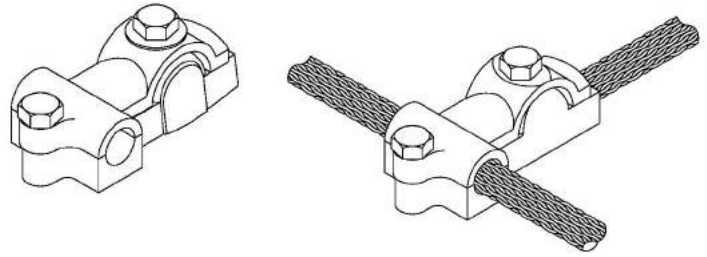


**304**

**"T" Connector**

Cast bronze pressure type "T" connector.  
Wt. .52 lbs. each.

22	28S	32S	40	21	G3	A22	A28	A30
----	-----	-----	----	----	----	-----	-----	-----



**A304**

**"T" Connector**

Cast aluminum pressure "T" connector.  
Wt. .18 lbs. each.

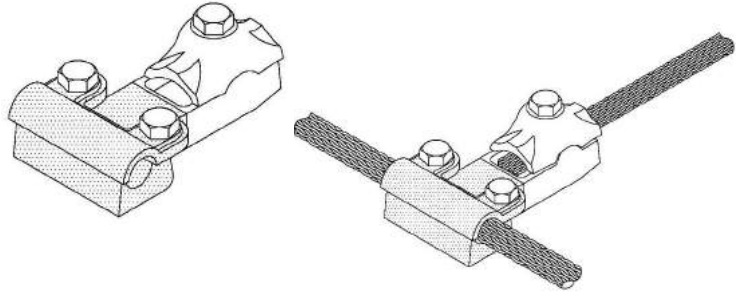
22	28S	32S	40	21	G3	A22	A28	A30	
----	-----	-----	----	----	----	-----	-----	-----	---

**A304A**

**Bimetal "T" Connector**

Cast bronze and aluminum pressure type  
"T" Connector. Wt. .64 lbs. each.

22	28S	32S	40	21	G3	A22	A28	A30	
----	-----	-----	----	----	----	-----	-----	-----	---

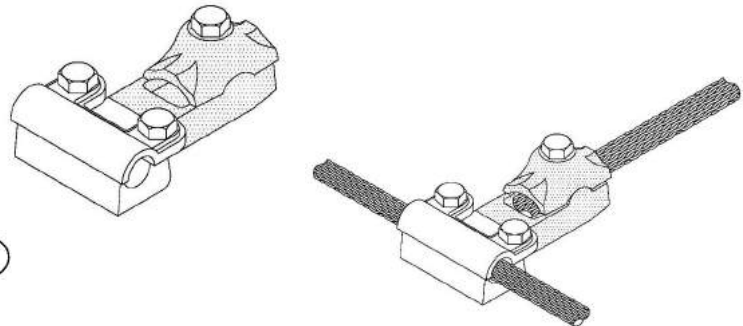


**A304B**

**Bimetal "T" Connector**

Cast bronze and aluminum pressure type  
"T" connector. Wt. .64 lbs. each.

22	28S	32S	40	21	G3	A22	A28	A30	
----	-----	-----	----	----	----	-----	-----	-----	---

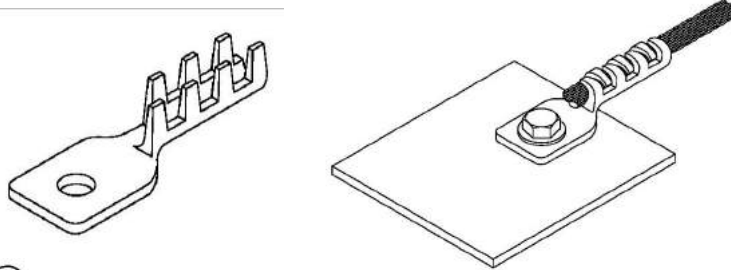


**4**

**Small Metal Track Connector**

Cast bronze crimp splicer connector for smaller cable. Mounting hole is 5/16" diameter. Wt. .08 lbs. each.

22	28S	32S	40	21	G3	A22	A28	A30
----	-----	-----	----	----	----	-----	-----	-----



**A4**

**Small Metal Track Connector**

Cast aluminum. Description same as above. Wt. .04 lbs. each.

22	28S	32S	40	21	G3	A22	A28	A30
----	-----	-----	----	----	----	-----	-----	-----

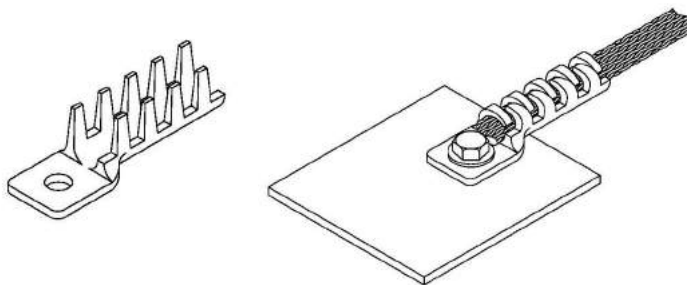


**5**

**Large Metal Track Connector**

Cast bronze crimp splicer connector for standard cable. Mounting hole is 5/16" diameter. Wt. .14 lbs. each.

22	28S	32S	40	21	G3	A22	A28	A30
----	-----	-----	----	----	----	-----	-----	-----



**A5**

**Large Metal Track Connector**

Cast aluminum. Description same as above. Wt. .08 lbs. each.

22	28S	32S	40	21	G3	A22	A28	A30
----	-----	-----	----	----	----	-----	-----	-----

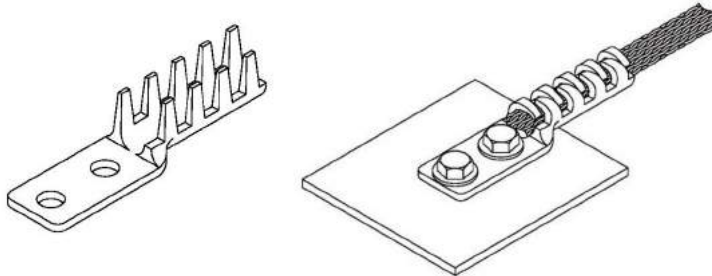


**219**

**Two Hole Track Connector**

Cast bronze crimp splicer connector for standard size cable. Wt. .18 lb. each.

22	28S	32S	40	21	G3	A22	A28	A30
----	-----	-----	----	----	----	-----	-----	-----



**A219**

**Two Hole Track Connector**

Cast aluminum. Description same as above. Wt. .06 lbs. each.

22	28S	32S	40	21	G3	A22	A28	A30
----	-----	-----	----	----	----	-----	-----	-----

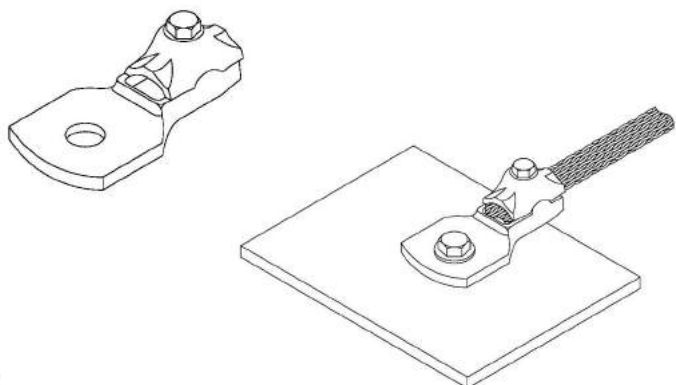


**596**

**Bus Terminal**

Cast bronze with 4-1/2 square inches of contact for standard cable. Mounting hole is 1/2" diameter. Wt. .54 lbs. each.

22	28S	32S	40	21	G3	A22	A28	A30
----	-----	-----	----	----	----	-----	-----	-----



**A596**

**Bus Terminal**

Cast aluminum. Description same as above. Wt. .18 lbs. each.

22	28S	32S	40	21	G3	A22	A28	A30
----	-----	-----	----	----	----	-----	-----	-----

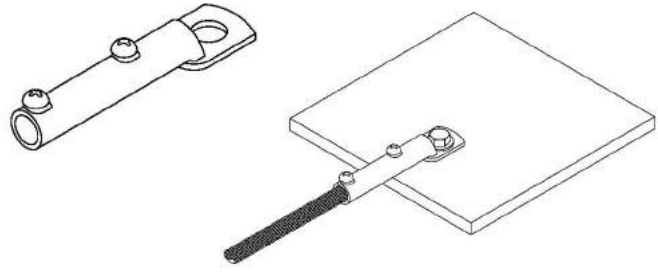


**G68**

**Small Bus Terminal**

Cast bronze bonding lug for smaller bonding cable. Mounting hole is 5/16" diameter. Wt. .14 lbs. each.

22	28S	32S	40	21	G3	A22	A28	A30
----	-----	-----	----	----	----	-----	-----	-----



**AG68**

**Small Bus Terminal**

Cast aluminum. Description same as above. Wt. .06 lbs. each.

22	28S	32S	40	21	G3	A22	A28	A30
----	-----	-----	----	----	----	-----	-----	-----

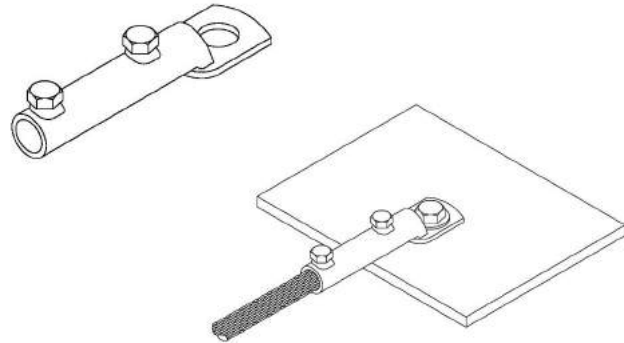


**G67**

**Bus Terminal**

Cast bronze used for connecting standard cable. Mounting hole is 1/2" diameter. Wt. .28 lbs. each.

22	28S	32S	40	21	G3	A22	A28	A30
----	-----	-----	----	----	----	-----	-----	-----



**AG67**

**Heavy Duty Bus Terminal**

Cast aluminum. Description same as above. Wt. .12 lbs. each.

22	28S	32S	40	21	G3	A22	A28	A30
----	-----	-----	----	----	----	-----	-----	-----

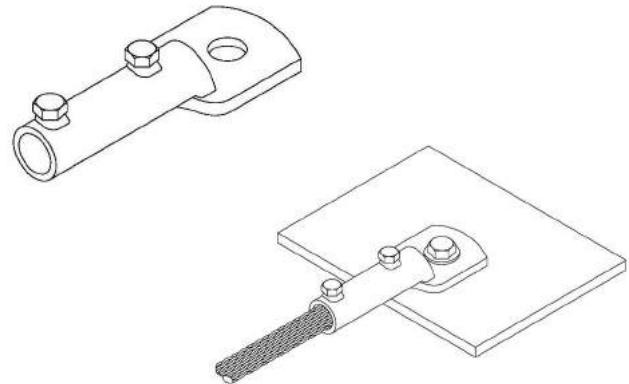


**596A**

**Heavy Duty Bus Terminal**

Cast bronze has 3 square inches of surface contact for connecting larger cables to larger metal bodies. Mounting hole is 1/2" diameter. Wt. .68 lbs. each.

22	28S	32S	40	21	G3	A22	A28	A30
----	-----	-----	----	----	----	-----	-----	-----



**A596A**

**Heavy Duty Bus Terminal**

Cast aluminum. Description same as above. Wt. .24 lbs. each.

22	28S	32S	40	21	G3	A22	A28	A30
----	-----	-----	----	----	----	-----	-----	-----

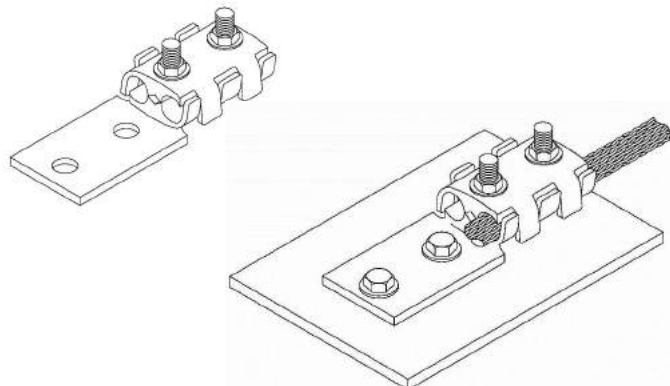


**347**

**Heavy Duty Bus Terminal**

Cast bronze bus terminal with 6 square inches of surface contact for two cables up to 5/8" diameter. Mounting hole is 1/2" diameter. Wt. 1.12 lbs. each.

22	28S	32S	40	21	G3	A22	A28	A30
----	-----	-----	----	----	----	-----	-----	-----



**A347**

**Heavy Duty Bus Terminal**

Cast aluminum. Description same as above. Wt. .46 lbs. each.

22	28S	32S	40	21	G3	A22	A28	A30
----	-----	-----	----	----	----	-----	-----	-----

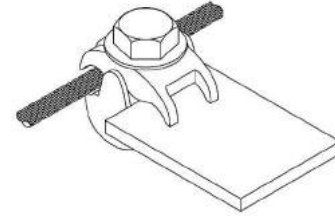
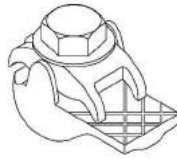


**298**

**Cable Connector to Flat Steel**

Cast bronze pressure type connector for bonding cables only. Wt. .18 lbs. each.

789	65	22	28S	32S	G3	A28	A28	A30
-----	----	----	-----	-----	----	-----	-----	-----



**A298**

**Cable Connector to Flat Steel**

Cast aluminum pressure type connector for bonding cables only. Wt. .08 lbs. each.

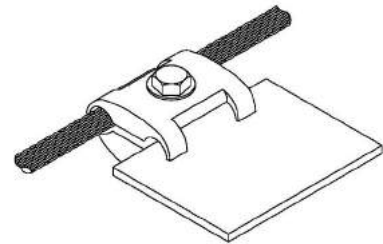
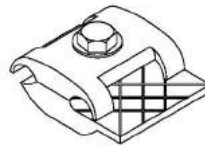
28	28S	32S	40	21	G3	A22	A28	A30	
----	-----	-----	----	----	----	-----	-----	-----	--

**298A**

**Large Cable Connector to Flat Steel**

Cast bronze pressure type connector for standard size cable. Wt. .40 lbs. each.

32	28S	32S	40	21	G3	A28	A28	A30
----	-----	-----	----	----	----	-----	-----	-----



**A298A**

**Large Cable Connector to Flat Steel**

Cast aluminum. Description same as above. Wt. .16 lbs. each.

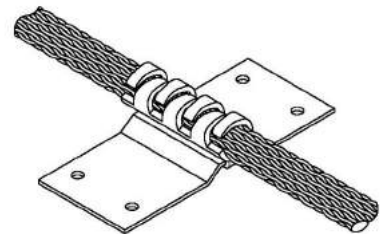
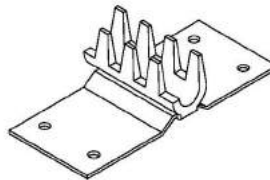
22	28S	32S	40	21	G3	A22	A28	A30	
----	-----	-----	----	----	----	-----	-----	-----	--

**120**

**Bonding Connector**

Cast bronze crimp and pressed copper splicer for standard cable bonds to metallic surfaces. Bonding area is 4 square inches. Part is tinned. Wt. .22 lbs. each.

32	28S	32S	40	21	G3	A22	A28	A30
----	-----	-----	----	----	----	-----	-----	-----



**A120**

**Bonding Connector**

Cast and pressed aluminum. Description same as above. Wt. .10 lbs. each.

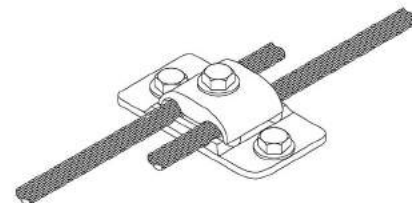
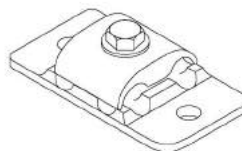
22	28S	32S	40	21	G3	A22	A28	A30	
----	-----	-----	----	----	----	-----	-----	-----	--

**238B**

**Bonding Connector Plate**

Cast bronze plate with pressure type universal style cable fastener. Bonding area is 8 square inches. Wt. .66 lbs. each.

22	28S	32S	40	21	G3	A22	A28	A30
----	-----	-----	----	----	----	-----	-----	-----



**A238B**

**Bonding Connector Plate**

Cast Aluminum. Description same as above. Wt. .22 lbs. each.

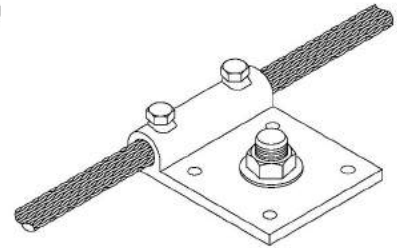
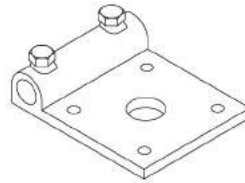
22	28S	32S	40	21	G3	A22	A28	A30	
----	-----	-----	----	----	----	-----	-----	-----	--

**238**

**Heavy Duty Bonding Plate**

Cast bronze plate with 8 square inches of bonding area and mounting hole is 3/4" diameter. Wt. .78 lbs. each.

238	28S	32S	40	21	G3	A22	A28	A30
-----	-----	-----	----	----	----	-----	-----	-----



**A238**

**Heavy Duty Bonding Plate**

Cast aluminum. Description same as above. Wt. .26 lbs. each.

238	28S	32S	40	21	G3	A22	A28	A30
-----	-----	-----	----	----	----	-----	-----	-----

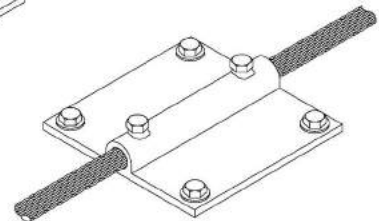
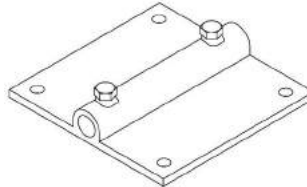


**G89**

**Heavy Duty Bonding Plate**

Cast bronze plate and size is 4" x 4" x 3/16" affording 16 square inches of bonding area. Wt. 1.35 lbs. each.

238	28S	32S	40	21	G3	A22	A28	A30
-----	-----	-----	----	----	----	-----	-----	-----



**AG89**

**Heavy Duty Bonding Plate**

Cast aluminum. Description same as above. Wt. .40 lbs. each.

238	28S	32S	40	21	G3	A22	A28	A30
-----	-----	-----	----	----	----	-----	-----	-----

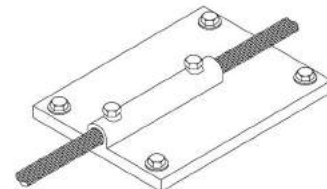
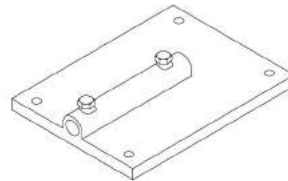


**G88**

**Extra Heavy Duty Bonding Plate**

Cast bronze plate and size is 6" x 4 - 7/16" x 3/16" with over 26 square inches of bonding area. Wt. 3.40 lbs. each.

238	28S	32S	40	21	G3	A22	A28	A30
-----	-----	-----	----	----	----	-----	-----	-----



**AG88**

**Extra Heavy Duty Bonding Plate**

Cast aluminum - same description as above. Wt. 1.20 lbs. each.

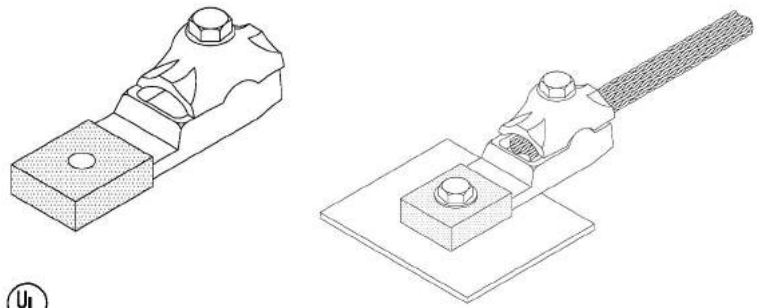
238	28S	32S	40	21	G3	A22	A28	A30
-----	-----	-----	----	----	----	-----	-----	-----



**A183X**

**Bimetal Connector**

Cast bronze and aluminum. For connecting copper cable to aluminum surfaces. Mounting hole is 5/16" diameter. Wt. .48 lbs. each.



28	28S	32S	40	21	G3	A22	A28	A30
----	-----	-----	----	----	----	-----	-----	-----

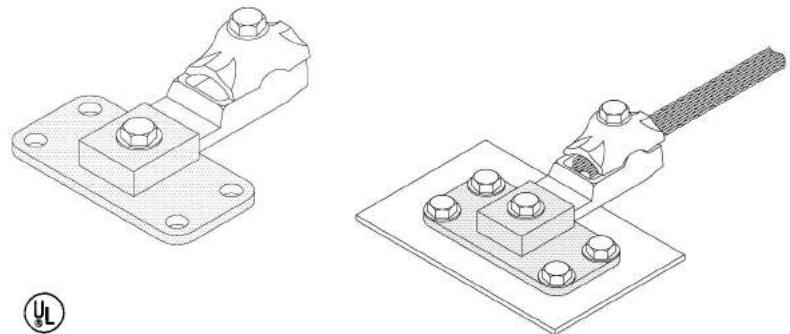


39

**A183**

**Bimetal Bonding Plate**

Cast aluminum and bronze for connecting copper cable to structural beams. Part provides 8 square inches of bonding area. Mounting holes are 5/16" diameter. Wt. .60 lbs. each.



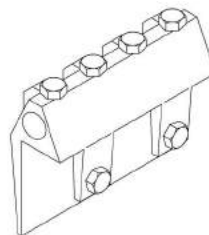
28	28S	32S	40	21	G3	A22	A28	A30
----	-----	-----	----	----	----	-----	-----	-----



**235X**

**Heavy Duty Beam Connector**

Cast bronze part provides 8 square inches of bonding area. For cables as shown and for use with steel plates up to 3/4" thick. Wt. 1.58 lbs. each.

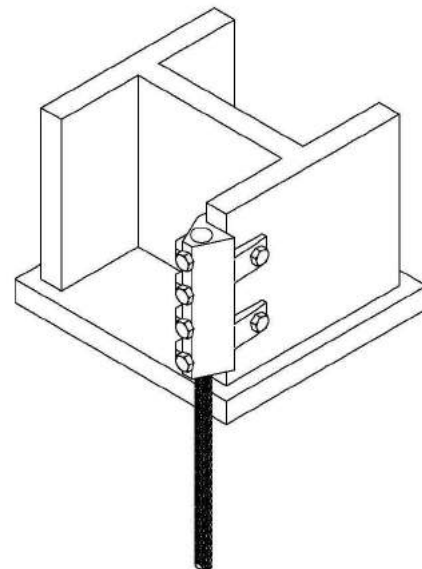


28	28S	32S	40	21	G3	A22	A28	A30
----	-----	-----	----	----	----	-----	-----	-----

**A235X**

**Heavy Duty Beam Connector**

Cast Aluminum. Description same as above. Wt. .58 lbs. each.



22	28S	32S	40	21	G3	A22	A28	A30
----	-----	-----	----	----	----	-----	-----	-----



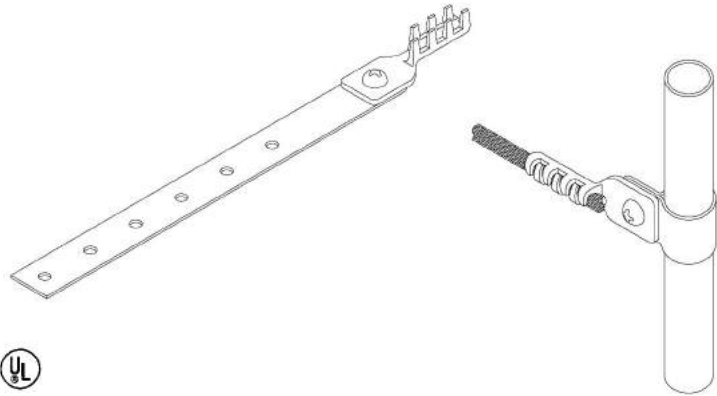


**214**

**Band Style Bonding Strap**

Cast bronze crimp style fitting (IP-4) with 8" of IP-49 for use with bonding metal bodies. For use with up to 2" pipe. Longer lengths available upon request. Wt. .22 lbs. each.

22	28S	32S	40	21	G3	A22	A28	A30
----	-----	-----	----	----	----	-----	-----	-----



**A214**

**Band Style Bonding Strap**

Cast aluminum. Description same as above. Wt. .08 lbs. each.

22	28S	32S	40	21	G3	A22	A28	A30
----	-----	-----	----	----	----	-----	-----	-----

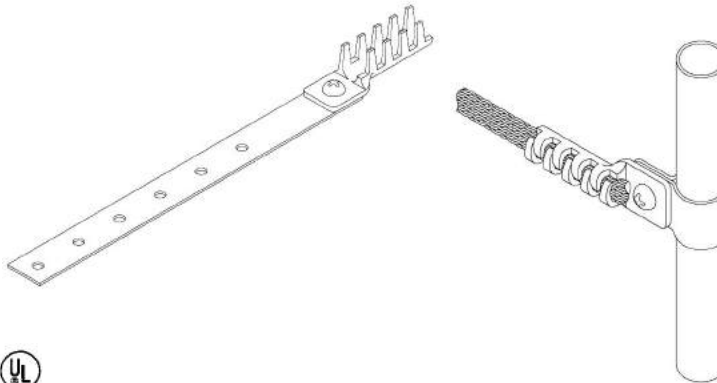


**215**

**Band Style Bonding Strap**

Cast bronze crimp style fitting (IP-5) with 8" of IP-49 for use with standard cable. For use with up to 2" pipe. Longer lengths available upon request. Wt. .28 lbs. each.

22	28S	32S	40	21	G3	A22	A28	A30
----	-----	-----	----	----	----	-----	-----	-----



40

**A215**

**Band Style Bonding Strap**

Cast aluminum. Description same as above. Wt. .14 lbs. each.

22	28S	32S	40	21	G3	A22	A28	A30
----	-----	-----	----	----	----	-----	-----	-----

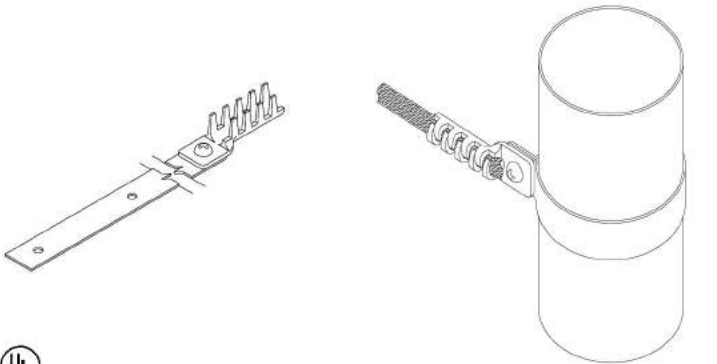


**118**

**Vent Pipe Bonding Strap**

Cast bronze crimp style fitting (IP-5) with 15" length of tinned IP-49X copper strap. For use with up to 4" pipe. Longer lengths available upon request. Wt. .42 lbs. each.

22	28S	32S	40	21	G3	A22	A28	A30
----	-----	-----	----	----	----	-----	-----	-----



**A118**

**Vent Pipe Bonding Strap**

Cast aluminum. Description same as above. Wt. .20 lbs. each.

22	28S	32S	40	21	G3	A22	A28	A30
----	-----	-----	----	----	----	-----	-----	-----

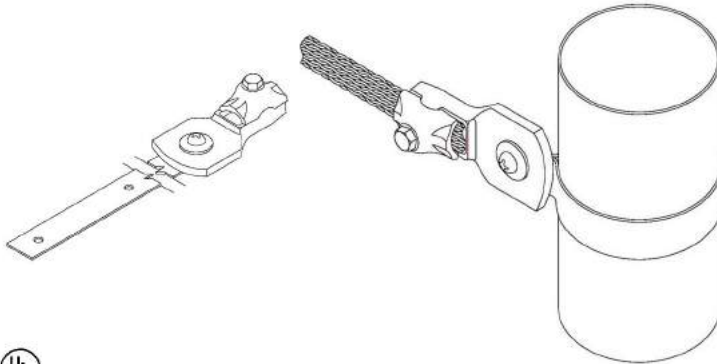


**118X**

**Vent Pipe Bonding Strap**

Cast pressure type fitting (IP-596) with 15" of tinned IP-49X copper strap. For use with up to 4" pipe. Longer lengths available upon request. Wt. .80 lbs. each.

22	28S	32S	40	21	G3	A22	A28	A30
----	-----	-----	----	----	----	-----	-----	-----



**A118X**

**Vent Pipe Bonding Strap**

Cast aluminum. Description same as above. Wt. .30 lbs. each.

22	28S	32S	40	21	G3	A22	A28	A30
----	-----	-----	----	----	----	-----	-----	-----



**307X**

**Adjustable Strap Fastener**

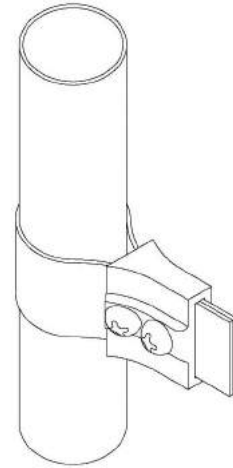
Cast bronze connector is used with (IP-49) strap. Wt. .14 lbs. each.



**A307X**

**Adjustable Strap Fastener**

Cast aluminum is used with (IP-A49) strap. Wt. .06 lbs. each.



**41**

**308**

**Bonding Connector**

Cast bronze crimp connector for standard cable and for 1" (IP-49) strap. Wt. .28 lbs. each.

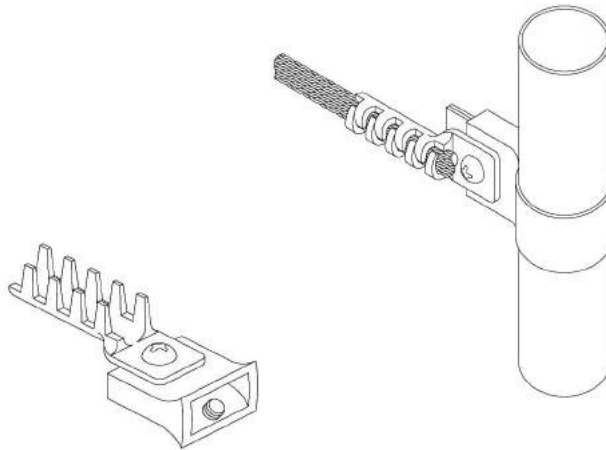
22	28S	32S	40	2"	G3	A22	A25	A30
----	-----	-----	----	----	----	-----	-----	-----

**A308**

**Bonding Connector**

Cast aluminum crimp connector for standard cable and for 1" (IP-A49). Wt. .14 lbs. each.

22	28S	32S	40	2"	G3	A22	A28	A30
----	-----	-----	----	----	----	-----	-----	-----



**83**

**One Nail Clip Fastener**

Pressed copper loop for standard size cables. Wt. .01 lbs. each.

22	28S	32S	40	21	G3	A22	A28	A30
----	-----	-----	----	----	----	-----	-----	-----



**A83**

**One Nail Clip Fastener**

Pressed aluminum. Description same as above. Wt. .006 lbs. each.

22	28S	32S	40	21	G3	A22	A28	A30
----	-----	-----	----	----	----	-----	-----	-----

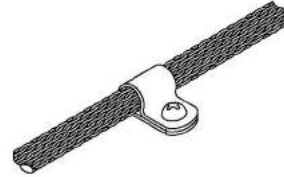


**121A**

**Loop Fastener**

Pressed copper loop for standard size cables. Mounting hole is 1/4" diameter. Wt. .02 lbs. each.

22	28S	32S	40	21	G3	A22	A28	A30
----	-----	-----	----	----	----	-----	-----	-----



**A121A**

**Loop Fastener**

Pressed aluminum. Description same as above. Wt. .01 lbs. each.

22	28S	32S	40	21	G3	A22	A28	A30
----	-----	-----	----	----	----	-----	-----	-----

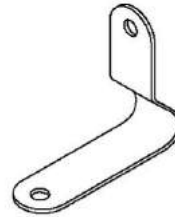


**121C**

**Large Loop Fastener**

Pressed copper loop for 4/0 cable. Mounting hole is 1/4" diameter. Wt. .04 lbs. each.

22	28S	32S	40	21	G3	A22	A28	A30
----	-----	-----	----	----	----	-----	-----	-----



**A121C**

**Large Loop Fastener**

Pressed aluminum. Description same as above. Wt. .01 lbs. each.

22	28S	32S	40	21	G3	A22	A28	A30
----	-----	-----	----	----	----	-----	-----	-----

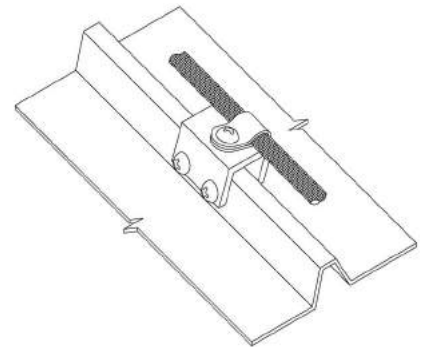
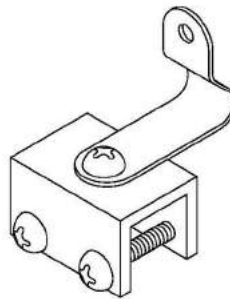


**121SS**

**Standing Seam Loop Fastener**

Cast bronze base with pressed copper loop style fastener for seams up to 13/16" wide. Cable run can be parallel or perpendicular. Wt. .18 lbs. each.

22	28S	32S	40	21	G3	A22	A28	A30
----	-----	-----	----	----	----	-----	-----	-----



**A121SS**

**Standing Seam Loop Fastener**

Machined aluminum. Description same as above. Seams up to 7/8" wide. Wt. .14 lbs. each.

22	28S	32S	40	21	G3	A22	A28	A30
----	-----	-----	----	----	----	-----	-----	-----



**84**

**One-Hole Fastener**

Cast bronze fastener for mounting with nail. Wt. .04 lbs. each.

25	28S	32S	40	21	G3	A22	A28	A30
----	-----	-----	----	----	----	-----	-----	-----



**A84**

**One-Hole Fastener**

Cast aluminum. Description same as above. Wt. .01 lbs. each.

25	28S	32S	40	21	G3	A22	A28	A30
----	-----	-----	----	----	----	-----	-----	-----



**43**

**84B**

**Large One-Hole Fastener**

Cast bronze fastener has 1/4" diameter hole for mounting. Wt. .04 lbs. each.

25	28S	32S	40	21	G3	A22	A28	A30
----	-----	-----	----	----	----	-----	-----	-----



**A84B**

**Large One-Hole Fastener**

Cast aluminum. Wt. .01 lbs. each.

25	28S	32S	40	21	G3	A22	A28	A30
----	-----	-----	----	----	----	-----	-----	-----

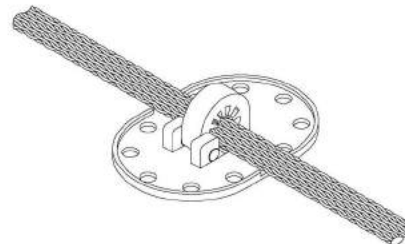
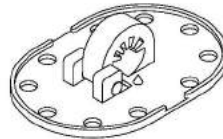


**265P**

**Poly Adhesive Cable Fastener**

Superior polycarbonate plastic adhesive cable holder. Part is 2-3/8" wide x 3-1/4" long. Extremely durable, part is fully approved by UL including temperature and impact tests. Wt. .04 lbs. each.

25	28S	32S	40	21	G3	A22	A28	A30
----	-----	-----	----	----	----	-----	-----	-----

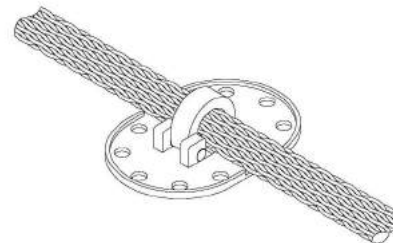
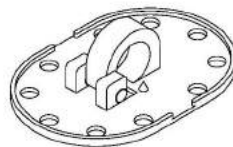


**A265P**

**Poly Adhesive Cable Fastener**

Superior polycarbonate plastic adhesive cable holder. Part is 2-3/8" wide x 3-1/4" long. Extremely durable, part is fully approved by UL including temperature and impact tests. Smooth ID for use with larger cables. Wt. .04 lbs. each.

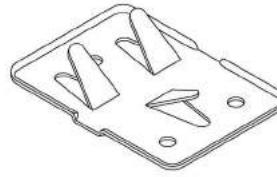
25	28S	32S	40	21	G3	A22	A28	A30
----	-----	-----	----	----	----	-----	-----	-----



**265A**

**Adhesive Cable Fastener**

Pressed copper adhesive cable fastener with three fold-over tabs to secure cable. Fastener has rolled edges to prevent cuts to mounting surfaces. For use on flat surfaces where fastener penetration is not an option. Size is 2-1/2" wide x 3-1/2" length. Wt. 08 lbs. each.

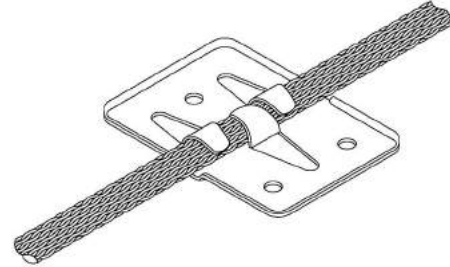


22	28S	32S	40	21	G3	A28	A28	A30
----	-----	-----	----	----	----	-----	-----	-----

**A265A**

**Adhesive Cable Fastener**

Pressed aluminum - description same as above. Wt. 04 lbs. each



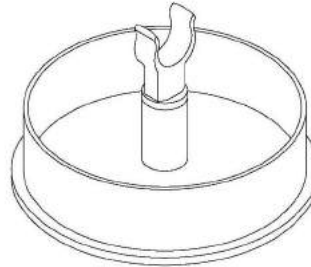
22	28S	32S	40	21	G3	A28	A28	A30
----	-----	-----	----	----	----	-----	-----	-----



**266**

**No Nail Pan Style Cable Fastener**

Cast bronze fastener with crimp type connector is filled with stone or chips and adhered to roof with adhesive. Outer diameter is 4". Wt. .98 lbs. each.

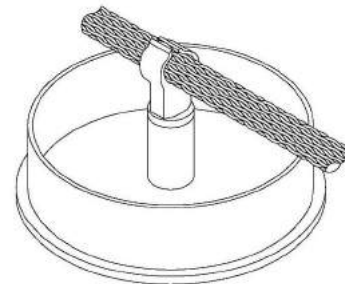


22	28S	32S	40	21	G3	A22	A28	A30
----	-----	-----	----	----	----	-----	-----	-----

**A266**

**No Nail Pan Style Cable Fastener**

Cast aluminum - description same as above. Wt. .30 lbs. each.



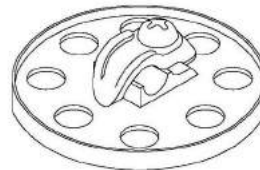
22	28S	32S	40	21	G3	A22	A28	A30
----	-----	-----	----	----	----	-----	-----	-----



**267**

**Paste Down Cable Fastener**

Cast bronze with clamp style fastener is 3" in diameter. Wt. .32 lbs. each.

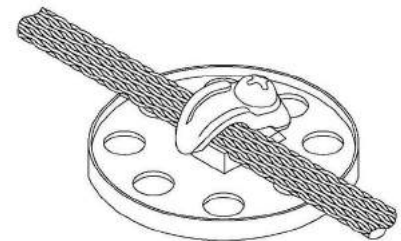


22	28S	32S	40	21	G3	A22	A28	A30
----	-----	-----	----	----	----	-----	-----	-----

**A267**

**Paste Down Cable Fastener**

Cast aluminum - description same as above. Wt. .10 lbs. each.



22	28S	32S	40	21	G3	A22	A28	A30
----	-----	-----	----	----	----	-----	-----	-----

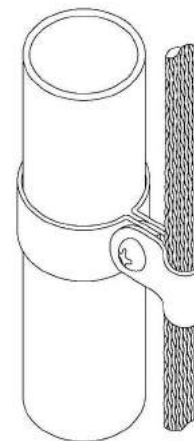


**181C**

**Railing Bracket Clamp**

Fastener clamp will fit railings up to 1-3/4" diameter. Fastener clamps for larger diameters available upon request. Wt. .12 lbs. each.

28	28S	32S	40	21	G3	A28	A28	A30
----	-----	-----	----	----	----	-----	-----	-----



**A181C**

**Railing Bracket Clamp**

Pressed aluminum. Wt. .06 lbs. each.

22	28S	32S	40	21	G3	A28	A28	A30
----	-----	-----	----	----	----	-----	-----	-----



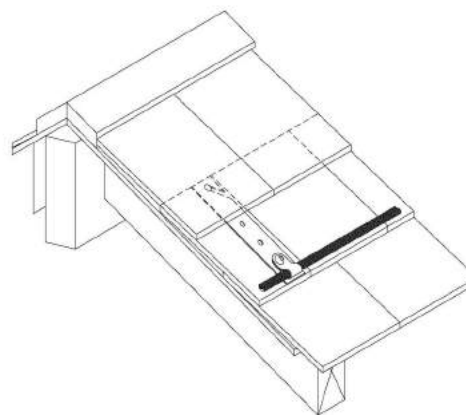
45

**268**

**Slate Roof Cable Fastener**

Fastener clamp is for installation onto slate roofs for cable that runs parallel or perpendicular. Length is adjustable, slips under shingle and hooks around nail. Wt. .15 lbs. each.

28	28S	32S	40	21	G3	A28	A28	A30
----	-----	-----	----	----	----	-----	-----	-----



**A268**

**Slate Roof Cable Fastener**

Pressed aluminum. Wt. .06 lbs. each.

28	28S	32S	40	21	G3	A28	A28	A30
----	-----	-----	----	----	----	-----	-----	-----



**Lock Washers**

148L - 1/4" - Wt. .002 lbs. each.

148AL - 5/16" - Wt. .002 lbs. each.

148BL - 3/8" - Wt. .006 lbs. each.



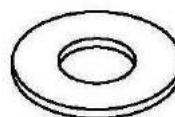
**Flat Washers**

249L - 1/4" - Wt. .002 lbs. each.

249AL - 5/16" - Wt. .004 lbs. each.

249BL - 3/8" - Wt. .012 lbs. each

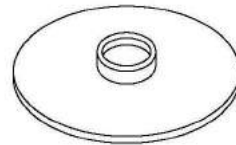
249CL - 1/2" - Wt. .016 lbs. each.



**Lead Washers**

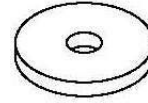
**301B - 1-1/4" OD Washer**

Washer for use with either 3/8" or 1/2" stems. Wt. .062 lbs. each.



**188 - 5/8" OD Washer**

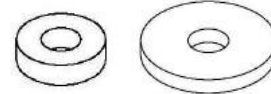
Washer for use with nails or screws. Wt. .014 lbs. each.



**Neoprene Rubber Washers**

**247 - 1/4" ID x 9/16" OD**

Wt. .0013 lbs. each.



**247A - 3/8" ID x 1-1/4" OD**

Wt. .0075 lbs. each.

**Nails**

**143 - Copper 4 Penny nail, 1-1/2" length.**

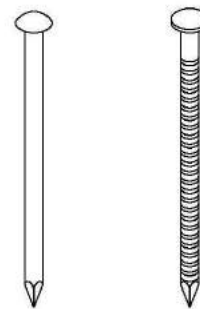
Wt. .006 lbs. each.

**144 - Copper 6 Penny nail, 2" length.**

Wt. .008 lbs. each.

**143L - Stainless Steel Ring Shank 4 Penny nail, 1-1/2" length. Wt. .004 lbs. each**

**144L - Stainless Steel Ring Shank 6 Penny nail, 2" length. Wt. .006 lbs. each.**



**Phillips Head Screw**

**125 - #12 - 3/4" length.**

Wt. .006 lbs. each.



**Phillips Head Screws**

**224 - #12 - 1" length - Wt. .01 lbs. each.**

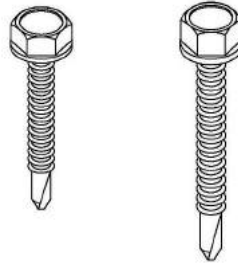
**225 - #12 - 1-1/2" length - Wt. .012 lbs. each.**



**Tek Screws**

**125T** - #10-14 x 1" length - Self-tapping.  
Wt. .007 lbs. each.

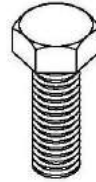
**125T12** - #12-14 x 1-1/4" Length  
self-tapping. Wt. .011 lbs. each.



**Hex Head Bolts**

**302L** - 5/16"-18 x 3/4" length.  
Wt. .024 lbs. each.

**302AL** - 3/8"-16 x 1" length.  
Wt. .040 lbs. each.



**Nuts**

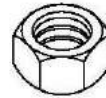
**128L** - 1/4"-20. Wt. .006 lbs. each.

**128AL** - 5/16"-18. Wt. .008 lbs. each.

**128BL** - 3/8"-16. Wt. .010 lbs. each.

**128CL** - 1/2"-13. Wt. .026 lbs. each.

**128DL** - 5/8" - 11. Wt. .07 lbs. each.



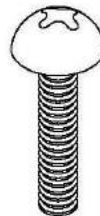
**Phillips Head Machine Screws**

**130L** - 1/4" -20 x 1/2" length.  
Wt. .010 lbs. each.

**131L** - 1/4"-20 x 3/4" length.  
Wt. .012 lbs. each.

**132L** - 1/4"-20 x 1" length.  
Wt. .016 lbs. each.

**133L** - 1/4"-20 x 1-1/2" length.  
Wt. .020 lbs. each.



**123**

**Loop Fastener With Lead Anchor**

Assembly includes an IP-121A cooper loop fastener and a 1/4" lead anchor.

Wt. .08 lbs. each.

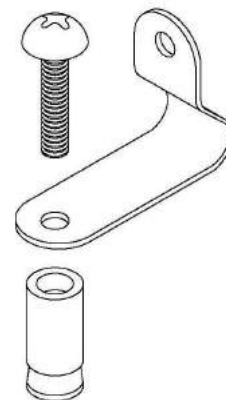
22	28S	32S	40	21	G3	A22	A28	A30
----	-----	-----	----	----	----	-----	-----	-----

**A123**

**Loop Fastener With Lead Anchor**

Aluminum. As above with IP-A121A aluminum loop fastener. Wt. .07 lbs. each.

22	28S	32S	40	21	G3	A22	A28	A30
----	-----	-----	----	----	----	-----	-----	-----



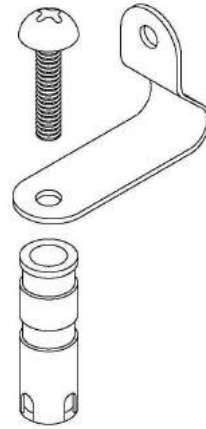


**124**

**Loop Fastener With Expansion Anchor**

Assembly includes an IP-121A copper loop fastener and a 1/4" expansion anchor. Wt. .08 lbs. each.

22	28S	32S	40	21	G3	A22	A28	A30
----	-----	-----	----	----	----	-----	-----	-----



**A124**

**Loop Fastener With Expansion Anchor**

Aluminum. As above with IP-A121A aluminum loop fastener. Wt. .05 lbs. each.

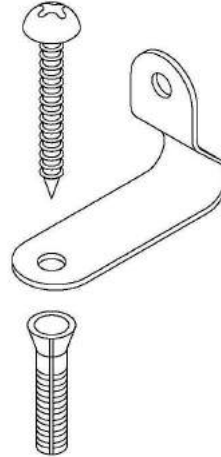
22	28S	32S	40	21	G3	A22	A28	A30
----	-----	-----	----	----	----	-----	-----	-----

**G64**

**Loop Fastener With Lead Anchor**

Assembly includes 1" SS wood screw, IP-121A copper loop fastener and lead anchor. Wt. .046 lbs. each.

22	28S	32S	40	21	G3	A22	A28	A30
----	-----	-----	----	----	----	-----	-----	-----



**AG64**

**Loop Fastener With Lead Anchor**

Aluminum. As above with IP-A121A aluminum loop fastener. Wt. .036 lbs. each.

22	28S	32S	40	21	G3	A22	A28	A30
----	-----	-----	----	----	----	-----	-----	-----

**292**

**Expansion Anchor and Screw**

Cast bronze clamp with anchor and screw. Wt. .08 lbs. each.

22	28S	32S	40	21	G3	A22	A28	A30
----	-----	-----	----	----	----	-----	-----	-----



**A292**

**Expansion Anchor and Screw**

Cast aluminum. Wt. .06 lbs. each.

22	28S	32S	40	21	G3	A22	A28	A30
----	-----	-----	----	----	----	-----	-----	-----

**293**

**Lead Anchor and Screw**

Cast bronze with lead anchor and screw. Wt. .08 lbs. each.

22	28S	32S	40	21	G3	A22	A28	A30
----	-----	-----	----	----	----	-----	-----	-----



**A293**

**Lead Anchor and Screw**

Cast aluminum. Wt. .06 lbs. each.

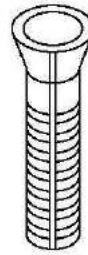
22	28S	32S	40	21	G3	A22	A28	A30
----	-----	-----	----	----	----	-----	-----	-----

**Lead Anchor Screw-In**

**For Wood Applications**

**295B** - For #12 Size Screw (IP-224), 1" length. Drill size 5/16". Wt. .02 lbs. each.

**295C** - For #12 Size Screw (IP-225), 1-1/2" length. Drill size 5/16". Wt. .02 lbs. each.



**Expansion Anchors**

**For Wood Applications**

**294** - 1/4"-20, 1-1/4" length. Drill size 1/2". Wt. .02 lbs. each.

**294A** - 5/16"-18, 1-1/2" length. Drill size 9/16". Wt. .04 lbs. each.

**561** - 3/8"-16, 2" length. Drill size 3/4". Wt. .04 lbs each.



**Lead Anchors**

**For Masonry Applications**

**295** - 1/4"-20, 3/4" length. Drill size 1/2". Wt. .04 lbs. each.

**295A** - 5/16"-18, 1" length. Drill size 5/8". Wt. .06 lbs. each.

**562** - 3/8"-16, 1-1/4" length. Drill size 3/4". Wt. .10 lbs. each.

**564** - 1/2"-13, 1-1/2" length. Drill size 7/8". Wt. .16 lbs. each.



**HD1412S**

**Hammer Drive Anchor**

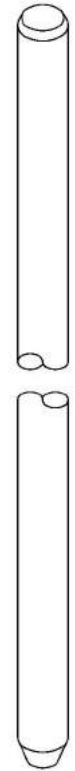
Stainless steel drive nail anchor, 1/4" diameter x 1-1/4" length.

Wt. .02 lbs. each.

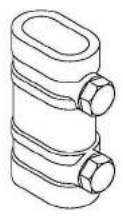


**Ground Rods—Copperclad**

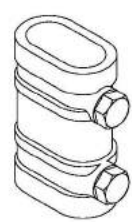
<u>MLP#</u>	<u>Specs</u>	<u>Wt.</u>
137	1/2" x 8'	5.52 lbs.
138	1/2" x 10'	6.98 lbs.
139	5/8" x 8'	6.68 lbs.
577	5/8" x 10'	8.44 lbs.
579	3/4" x 10'	12.36 lbs.



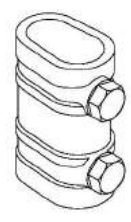
50



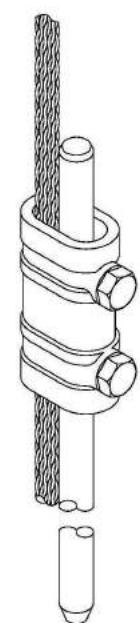
50A



51A



52A



**Ground Rod Clamps**

Cast bronze clamp with two stainless steel bolts.

**50A** - 1/2" Clamp. Wt. .36 lbs. each.

22	28S	32S	40	21	G5	A22	A28	A30	UL
----	-----	-----	----	----	----	-----	-----	-----	----

**51A** - 5/8" Clamp. Wt. .42 lbs. each.

22	28S	32S	40	21	G5	A22	A28	A30	UL
----	-----	-----	----	----	----	-----	-----	-----	----

**52A** - 3/4" Clamp. Wt. .52 lbs. each

22	28S	32S	40	21	G3	A22	A28	A30	UL
----	-----	-----	----	----	----	-----	-----	-----	----

**Compression Ground Rod Couplers**

MLP offers 3" length compression couplers for applications that require multiple ground rods.

Part #	Specs	Wt.
141CC	1/2" Coupler	.32 lbs.
141XC	5/8" Coupler	.32 lbs.
141YC	3/4" Coupler	.32 lbs.



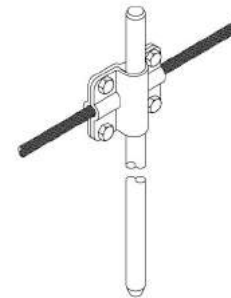
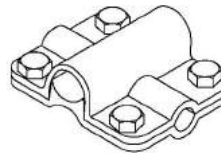
51

**119B**

**Heavy Duty Cross Run Clamp**

Cast bronze part has four hex screws and is used for cross-connecting 1/2" diameter cable to either 5/8" or 3/4" diameter ground rods. Wt. .64 lbs. each.

12	28S	32S	40	21	G3	A22	A28	A30
----	-----	-----	----	----	----	-----	-----	-----

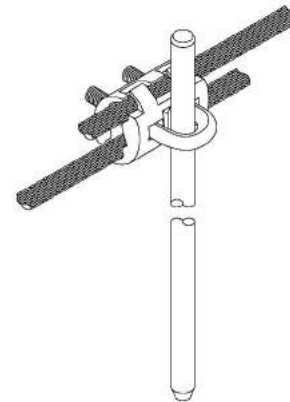
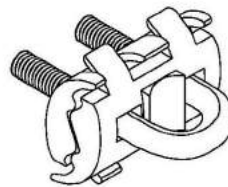


**28U**

**All Purpose U-Bolt Clamp**

Cast bronze connector used in addition to ground rod clamp where a connection is needed to tap into a counterpoise or ground loop. One or two horizontal cables can be utilized and ground rod up to 3/4" diameter. The 28U U-bolt clamp is not to be used as a primary ground connection but rather for a secondary connection to a supplemental grounding system. Wt. .62 lbs. each.

12	28S	32S	40	21	G3	A22	A28	A30
----	-----	-----	----	----	----	-----	-----	-----

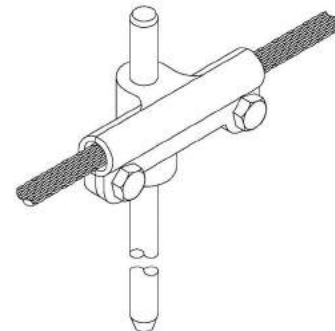
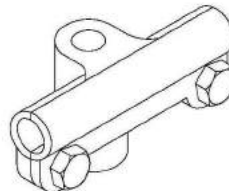


**196**

**Heavy Duty Ground Rod and Cross Run Clamp**

Cast bronze part with 4" length cable connector for connection to 5/8" diameter ground rod. Part also available for 3/4" diameter ground rod upon request. Wt. .86 lbs. each.

12	28S	32S	40	21	G3	A22	A28	A30
----	-----	-----	----	----	----	-----	-----	-----

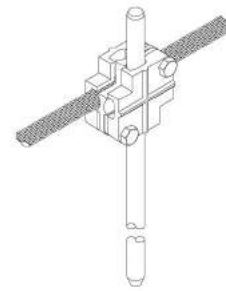
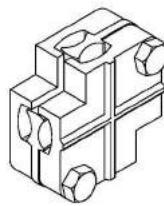


51

**197**

**All Purpose Ground Rod and Cable Clamp**

Cast bronze connector for ground rods up through 3/4" diameter and for connection to one cable in either a vertical or horizontal position. Wt. .60 lbs. each.

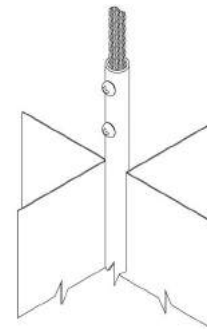
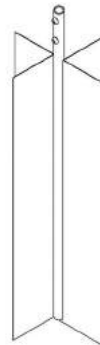


28	28S	32S	40	21	G3	A22	A25	A30	UL
----	-----	-----	----	----	----	-----	-----	-----	----

**584**

**Large Four Wing Ground Plate**

Made from 20 gauge copper sheet with each wing 3-1/2" wide x 18" length. Wt. 3.46 lbs. each.

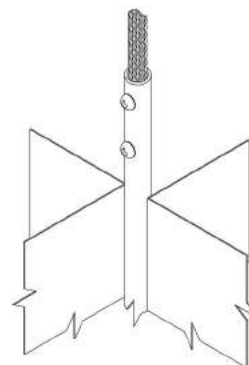
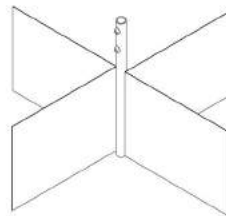


28	28S	32S	40	21	G3	A22	A25	A30	UL
----	-----	-----	----	----	----	-----	-----	-----	----

**585**

**Small Four Wing Ground Plate**

Made from 20 gauge copper sheet with each wing 6" wide x 9" length. Wt. 2.66 lbs. each.

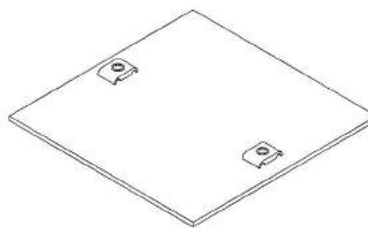


28	28S	32S	40	21	G3	A22	A25	A30	UL
----	-----	-----	----	----	----	-----	-----	-----	----

**586**

**Solid Cast Ground Plate**

Ground plate is cast from bronze and is 12" x 12" x 1/4" thick with two mechanical cable clamps to secure the cable. Wt. 13.28 lbs. each.

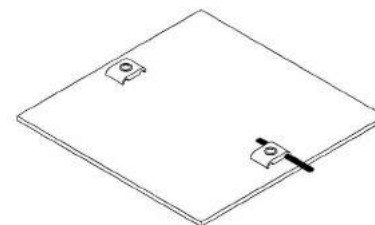


28	28S	32S	40	21	G3	A22	A25	A30
----	-----	-----	----	----	----	-----	-----	-----

**586X**

**Solid Cast Ground Plate**

Same description as above except 1/2" thick. Wt. 20.68 lbs. each.



28	28S	32S	40	21	G3	A22	A25	A30	UL
----	-----	-----	----	----	----	-----	-----	-----	----

**Copper Sheet Ground Plates**

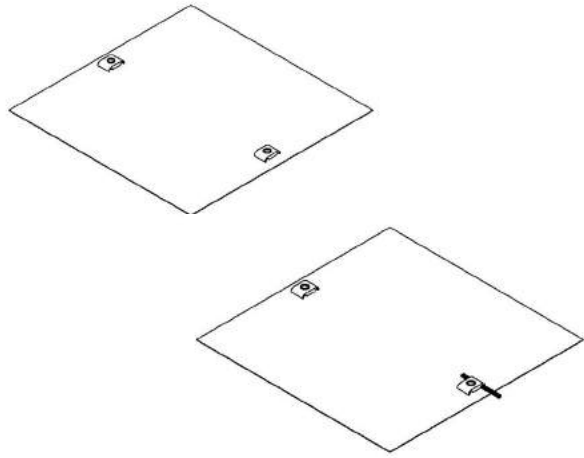
Ground plates are made from 20 gauge copper sheets with two mechanical cable clamps to secure cable. Part number and specifications are as follows:

**587** – 18" x 36" length.  
Wt. 6.75 lbs. each.

**587A** – 36" x 36" length.  
Wt. 13.48 lbs. each.

**588** – 18" x 24" length.  
Wt. 4.60 lbs. each.

**589** – 18" x 18" length.  
Wt. 3.13 lbs. each.

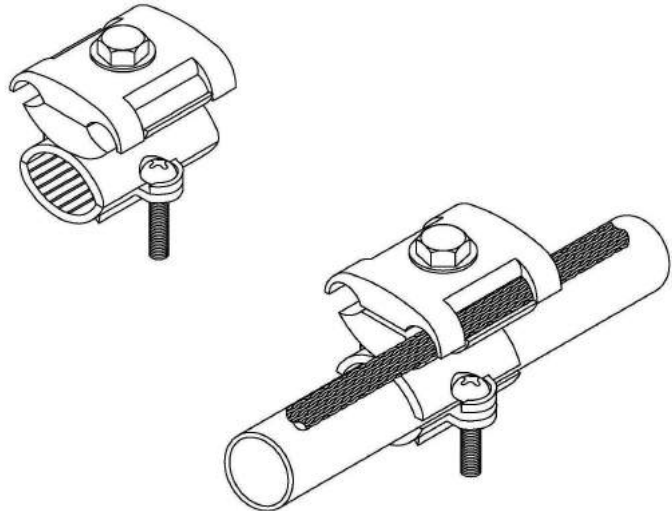


22	28S	32S	40	21	G3	A22	A28	A30	UL
----	-----	-----	----	----	----	-----	-----	-----	----

**53 306CX**

**Small Pipe Clamp for Copper Pipes**

Cast bronze pipe clamp for cables through 2/0 providing 1-1/2" contact. Fits maximum 3/4" copper pipe and by inverting bottom casting allows for smaller 1/4" – 5/8" copper pipe. Lower casting is tinned to prevent corrosion. Wt. .62 lbs. each.



22	28S	32S	40	21	G3	A22	A28	A30
----	-----	-----	----	----	----	-----	-----	-----

**A306CX**

**Small Aluminum Pipe Clamp**

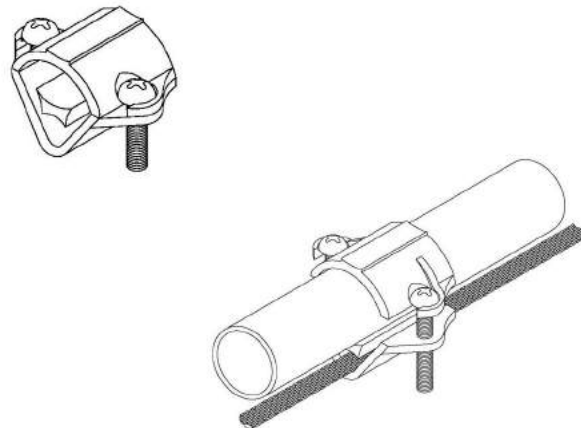
Same description as above except cable clamp is aluminum. Wt. .40 lbs. each.

22	28S	32S	40	21	G3	A22	A28	A30	UL
----	-----	-----	----	----	----	-----	-----	-----	----

**306**

**Small Perfection Pipe Clamp**

Cast bronze pipe clamp for cables through 2/0 providing 1-1/2" contact. Fits 1/2" – 1" iron pipes and 1/4" – 1" copper pipes. Maximum 1-1/2" outer diameter. Part is tinned to prevent corrosion. Wt. .48 lbs. each.



22	28S	32S	40	21	G3	A22	A28	A30
----	-----	-----	----	----	----	-----	-----	-----

**A306**

**Small Perfection Pipe Clamp**

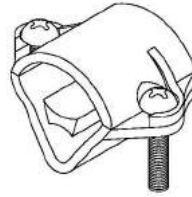
Cast aluminum as above description. Wt. .18 lbs. each.

22	28S	32S	40	21	G3	A22	A28	A30	UL
----	-----	-----	----	----	----	-----	-----	-----	----

### 306X

#### Medium Perfection Pipe Clamp

Cast bronze pipe clamp for cables through 2/20 providing 1-1/2" contact. Fits 1-1/4" and 1-1/2" iron pipes. Maximum 2" outer diameter. Part is tinned to prevent corrosion. Wt. .48 lbs. each.

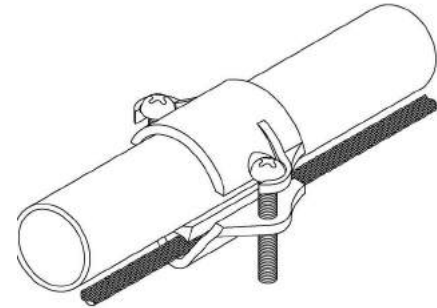


32	28S	32S	40	21	G3	A28	A28	A30
----	-----	-----	----	----	----	-----	-----	-----

### A306X

#### Medium Perfection Pipe Clamp

Cast aluminum as above description. Wt. .26 lbs. each.



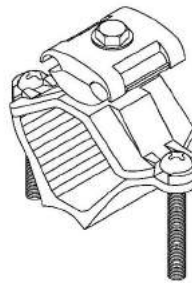
22	28S	32S	40	21	G3	A22	A28	A30
----	-----	-----	----	----	----	-----	-----	-----



### 306A

#### Large Perfection Pipe Clamp

Cast bronze pipe clamp for cables through 2/0 providing 1-1/2" contact. Fits 1-1/2" – 2" iron pipes. Maximum 2-3/8" outer diameter. Lower casting may be inverted to fit smaller diameter pipes. Lower casting is tinned to prevent corrosion. Wt. 1.04 lbs. each.

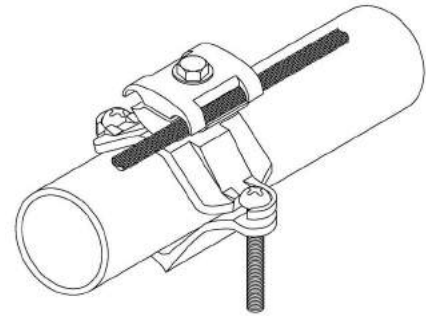


22	28S	32S	40	21	G3	A22	A28	A30
----	-----	-----	----	----	----	-----	-----	-----

### A306A

#### Large Perfection Pipe Clamp

Cast aluminum as above description. Wt. .44 lbs. each.



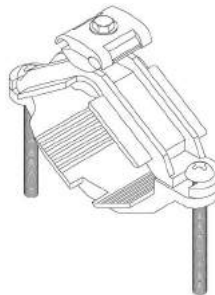
22	28S	32S	40	21	G3	A22	A28	A30
----	-----	-----	----	----	----	-----	-----	-----



### 306B

#### Extra-Large Perfection Pipe Clamp

Cast bronze pipe clamp for cables through 2/0 providing 1-1/2" contact. Fits 2-1/2" – 4" iron pipes. Maximum 4-1/2" outer diameter. Lower casting is tinned to prevent corrosion. Wt. 1.04 lbs. each.

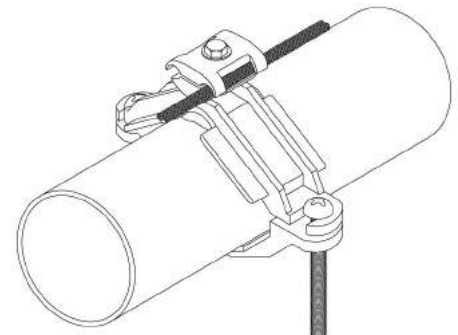


32	28S	32S	40	21	G3	A22	A28	A30
----	-----	-----	----	----	----	-----	-----	-----

### A306B

#### Extra-Large Perfection Pipe Clamp

Cast aluminum as above description. Wt. .84 lbs. each.



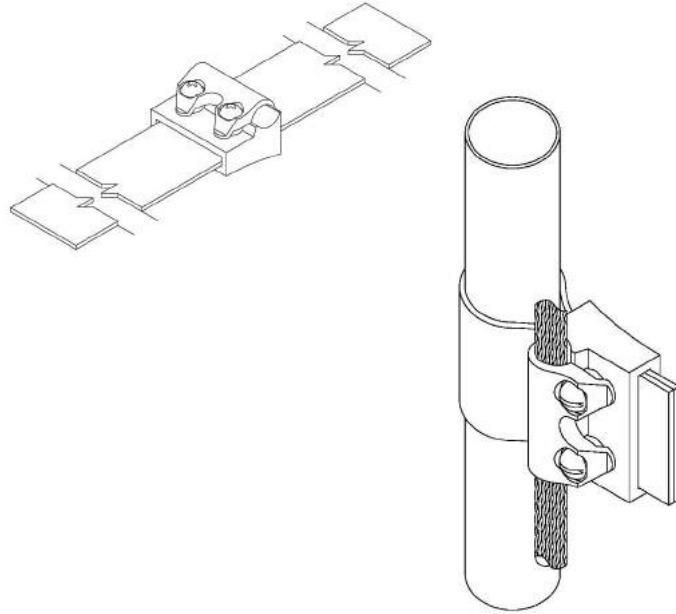
22	28S	32S	40	21	G3	A22	A28	A30
----	-----	-----	----	----	----	-----	-----	-----



**117, 117A, 117B**

**Tite-Grip Strap and Clamp**

Cast bronze clamp and copper strap for bonding to pipes. Strap (IP-49Y) is shaped around pipe. Casting is positioned within 1/8" of pipe and screw is tightened on flat part of casting. Screws on beveled edge are tightened to draw strap tight. Other length straps available upon request.



**117** – 12" Tite-Grip for pipes up to 2" diameter. Wt. 1.02 lbs each.

**117A** – 18" Tite-Grip Strap for pipes up to 4" diameter. Wt. 1.21 lbs. each.

**117B** – 32" Tite-Grip Strap for pipes up to 8" diameter. Wt. 1.70 lbs. each.

55

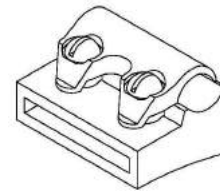
22	28S	32S	40	21	G3	A22	A25	A30
----	-----	-----	----	----	----	-----	-----	-----



**117C**

**Tite-Grip Clamp**

Cast bronze clamp only for use with (IP-49Y), 1-3/4" wide strap. Wt. .58 lbs. each.



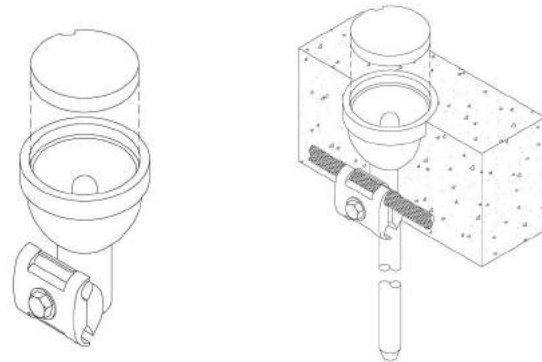
22	28S	32S	40	21	G3	A22	A25	A30
----	-----	-----	----	----	----	-----	-----	-----



**310**

**Ground Receptacle**

Cast bronze receptacle with cable clamp and fastener for connecting one or two cables to ground rod. Lid is furnished with SS chain that secures top to receptacle. When ordering, specify ground rod diameter and threaded or plain. Wt. 2.72 lbs.



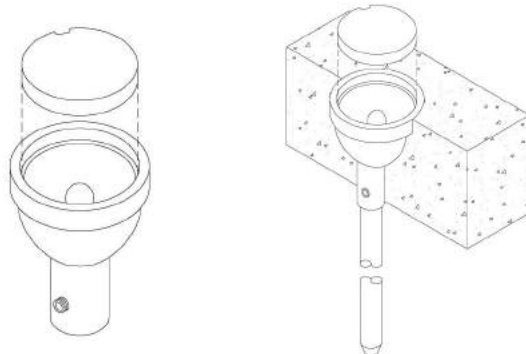
22	28S	32S	40	21	G3	A22	A25	A30
----	-----	-----	----	----	----	-----	-----	-----



**311**

**Ground Receptacle**

Cast bronze receptacle for use with ground rod. Lid is furnished with SS chain that secures top to receptacle. When ordering, specify ground rod diameter and treaded or plain. Wt. 2.22 lbs. each.



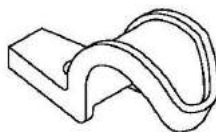
22	28S	32S	40	21	G3	A22	A25	A30
----	-----	-----	----	----	----	-----	-----	-----





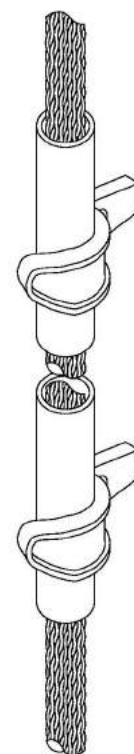
**G81  
Guard Fastener**

Cast bronze guard fastener for use with IP-591, 3/4" copper guard pipe. Bolt hole size is 5/16" diameter. Wt. .06 lbs. each.



**591  
Guard Pipe**

Copper guard pipe is 8' in length and 3/4" diameter. Fits standard cables through 2/0. Wt. 4.26 lbs. each.



22	28S	32S	40	21	G3	A22	A28	A30
----	-----	-----	----	----	----	-----	-----	-----

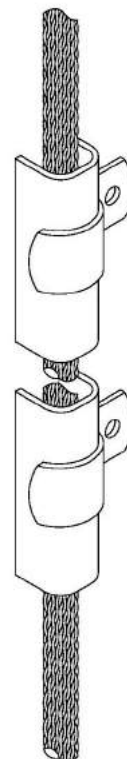
**135A  
"U" Guard Fastener**

Galvanized steel fastener for use with IP-349 polyurethane "U" guard or 3/4" PVC. Not for use with copper guards. Wt. .08 lbs. each.



**349P  
"U" Guard Channel**

Preformed polyurethane "U" guard is 8' in length and may be painted to desired color. For cables through 2/0 size. Wt. .68 lbs. each.



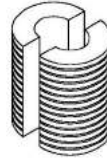
22	28S	32S	40	21	G3	A22	A28	A30
----	-----	-----	----	----	----	-----	-----	-----

**177**

**Bonding Wedge – 1” Conduit**

Cast bronze wedge is used when coursing cable through 1” diameter copper conduit. Wedges must be used to bond cable on each end of conduit. Wt. .26 lbs. each.

22	28S	32S	40	21	63	A22	A28	A30
----	-----	-----	----	----	----	-----	-----	-----



**A177**

**Bonding Wedge—1” Conduit**

Cast aluminum. Wt. .08 lbs. each.

22	28S	32S	40	21	63	A22	A28	A30
----	-----	-----	----	----	----	-----	-----	-----

**57**

**177X**

**Bonding Wedge – 3/4” Conduit**

Cast bronze wedge is used when coursing cable through 3/4” diameter copper conduit. Wedges must be used to bond cable on each end of conduit. Wt. .04 lbs. each.

22	28S	32S	40	21	63	A22	A28	A30
----	-----	-----	----	----	----	-----	-----	-----



**TGW - 910 - 10**

**Ground Test Well**

Fabricated and molded from HDPE Plastic for non-traffic areas like golf courses and grassy areas. Size is 10" OD top and 13" OD bottom lip x 10 1/2" height. Wt. 4.15 lbs each.



**Other Ground Test Wells**

MLP is able to provide additional test wells based on your specifications. MLP has access to other vendors that provide large units in addition to other heavy duty traffic rated test wells.



**172 XP-M1-Adhesive**

A moisture cure universal adhesive/sealant designed for bonding and sealing a wide range of construction materials. It forms a tough elastic water-proof seal to most roofing materials, masonry, wood, glass aluminum and foam. Please verify with roofing contractor for compatibility.

**\*Not to be used on rubber roofs**



**Part Number Index**

<u>Part No.</u>	<u>Page No.</u>	<u>Part No.</u>	<u>Page No.</u>	<u>Part No.</u>	<u>Page No.</u>
3.....	30	117C.....	55	215.....	40
4.....	35	118.....	40	219.....	35
5.....	35	118X.....	40	224.....	46
21.....	2	119.....	33	225.....	46
22.....	2	119A.....	33	235X.....	39
25G.....	31	119B.....	51	238.....	38
28S.....	2	120.....	37	238B.....	37
28U.....	51	121A.....	42	240 Series.....	23
30.....	8	121C.....	42	240 Series Components.....	23
30F.....	8	121SS.....	42	240W.....	6
30A.....	8	123.....	47	240Z.....	6
30AF.....	8	124.....	48	243.....	22
30B.....	8	125.....	46	243 1/2" ID.....	22
30BF.....	8	125T.....	47	247.....	46
30C.....	8	125T12.....	47	247A.....	46
30CF.....	8	128AL.....	47	249AL.....	45
30D.....	8	128BL.....	47	249BL.....	45
30DF.....	8	128CL.....	47	249CL.....	45
32L.....	2	128DL.....	47	249L.....	49
32S.....	2	128L.....	47	256.....	6
33L.....	29	130L.....	47	256X.....	6
33X.....	29	131L.....	47	260.....	18
34L.....	30	132L.....	47	262.....	30
35.....	9	133L.....	47	265A.....	44
40.....	2	135A.....	56	265P.....	43
40L.....	2	137.....	50	266.....	44
45.....	3	137A.....	50	266B.....	19
48A.....	2	138.....	50	266B 1/2" ID.....	19
48B.....	2	139.....	50	267.....	44
49.....	2	141CC.....	51	268.....	45
49X.....	2	141XC.....	51	271A.....	16
49Y.....	2	141YC.....	51	272A.....	24
50A.....	50	143.....	46	272X.....	27
51A.....	50	143L.....	46	272X BM.....	27
52A.....	50	144.....	46	273.....	16
60.....	13	144L.....	46	274.....	16
60A.....	18	148AL.....	45	292.....	48
60A 1/2" ID.....	18	148BL.....	45		
60B.....	13	148L.....	45		
60 Bushing.....	9	170PP.....	9		
60SS.....	19	172 XP-M1-Adhesive.....	58		
60SS 1/2" ID.....	19	177.....	57		
60U.....	13	177X.....	57		
60UB.....	13	178.....	18		
60X.....	14	179.....	17		
60XB.....	14	179A.....	17		
67B.....	15	181.....	20		
67C.....	15	181A.....	20		
83.....	42	181C.....	45		
84.....	43	184.....	3		
84B.....	43	188.....	46		
90.....	9	193A.....	28		
90B.....	9	193S.....	28		
91.....	9	193X.....	28		
101-112 Series.....	7	193X22.....	28		
117.....	55	196.....	51		
117A.....	55	197.....	52		
117B.....	55	214.....	40		

## Part Number Index

<u>Part No.</u>	<u>Page No.</u>	<u>Part No.</u>	<u>Page No.</u>	<u>Part No.</u>	<u>Page No.</u>
293	48	597X	27	A193X	28
294	49	A3	30	A214	40
294A	49	A4	35	A215	40
295	49	A5	35	A219	35
295A	49	A22	2	A235X	39
295B	49	A25G	31	A238	38
295C	49	A28	2	A238B	37
296	32	A30	2	A240W	6
297	31	A33D	29	A243 1/2" ID	22
297A	31	A33L	29	A256X	6
298	37	A33X	29	A260	18
298A	37	A34A	31	A262	30
301B	46	A34B	30	A265A	44
302AL	47	A34L	30	A265P	43
302L	47	A35	9	A266	44
304	34	A41P	32	A266B	19
306	53	A45	3	A267	44
306A	54	A48	2	A268	45
306B	54	A49	2	A272A	24
306X	54	A60A 1/2" ID	18	A272X	27
306CX	53	A60B	13	A273	16
307X	41	A60SS 1/2" ID	19	A292	48
308	41	A60UB	13	A293	48
310	55	A60XB	14	A296	32
311	55	A67B	15	A297	31
325	24	A83	42	A298	37
330 Series	4	A84	43		
331 Series	4	A84B	43		
332 Series	4	A101-A109 Series	7		
334T	26	A110	8		
335T	26	A110F	8		
336	15	A110X	8		
337	15	A110XF	8		
338	14	A111	8		
339	14	A111F	8		
347	36	A112	8		
349P	56	A112F	8		
561	49	A113	8		
562	49	A113F	8		
564	49	A118	40		
577	50	A118X	40		
579	50	A119A	33		
584	52	A120	37		
585	52	A121A	42		
586	52	A121C	42		
586X	52	A121SS	42		
587	53	A123	47		
587A	53	A124	48		
588	53	A177	57		
589	53	A178	18		
591	56	A179A	17		
596	35	A181A	20		
596A	36	A181C	45		
597	27	A183	39		
597BM	25	A183X	39		
597C	25	A184	3		
597 Cap	36	A193A	28		
597R	36	A193S	28		

**Part Number Index**

<u>Part No.</u>	<u>Page No.</u>	<u>Part No.</u>	<u>Page No.</u>
A297A .....	31	M63.....	9
A298A .....	37	M63B .....	10
A304.....	34	M63C .....	10
A304A .....	34	M63E .....	10
A304B .....	34	M63X .....	10
A305.....	36	M63Y .....	10
A305X .....	33	M63Z .....	10
A306.....	53	M74.....	21
A306A .....	54	M74Y .....	21
A306B .....	54	M312.....	5
A306CX.....	53	M334C .....	11
A306X .....	54	M335C .....	11
A307X .....	41	M597Bottom Only.....	26
A308.....	41	M597C Bottom Only .....	26
A325.....	24	M74-1/2" ID .....	21
A331 Series .....	5	MA55 1/2" ID .....	20
A332 Series .....	5	MA60UADP .....	11
A337.....	15	MA63 .....	9
A339.....	14	MA63C .....	10
A347.....	36	MA63X.....	10
A596.....	35	MA63Z.....	10
A596A .....	36	MA74-1/2" ID .....	21
A597.....	27	MA74Y.....	21
A597C.....	25	MA74Y 1/2" ID.....	21
A597 Cap.....	26	MA175 .....	33
A597P .....	25	MA312 .....	5
A597R .....	26	MA335C .....	11
A597X .....	27	MA597 Bottom Only .....	26
AC90X.....	17	MA597C Bottom Only.....	26
AF414 .....	22	MG73.....	33
AG27.....	32	MAG73 .....	33
AG28.....	32	TGW910-10.....	58
AG64.....	48		
AG67.....	36		
AG68.....	36		
AG88.....	38		
AG89.....	38		
C90X.....	17		
C90Y.....	17		
F414.....	22		
F414H .....	22		
G3 .....	2		
G27 .....	32		
G28 .....	32		
G64 .....	48		
G67 .....	36		
G68 .....	36		
G81 .....	56		
G88 .....	38		
G89 .....	38		
G90X.....	6		
G91X.....	6		
HD1412S .....	49		
MADJ Series (CU) .....	11, 12		
MAADJ Series (AL).....	11, 12		
M55.....	20		
M60UADP .....	11		



# **MARITIME LIGHTNING PROTECTION**

**Protect and Preserve Your Structure  
With a Lightning Protection System**



**Toll Free: 1.855.368.1710**

**Local: 902.368.1710**

**Fax: 902.368.3391**

Email: [info@maritimelightningprotection.com](mailto:info@maritimelightningprotection.com)

[www.maritimelightningprotection.com](http://www.maritimelightningprotection.com)

570 Pownal Rd., Rte 26

Pownal, PE C1B 3S6

Canada